

**QUOTE #:**  
Q1113

**FIXTURE:**  
MP0606-03-1572-FT5-0001 Q1113

**LAMPING:**  
(12) T5HO 54W G5 (4 EACH CYLINDER)  
(3) PAR-30 39W CMH MED. BASE

**DIFFUSER:**  
ACRYLIC SMOOTH WHITE

**DIAMETER:**  
36"

**O.A. HT:**  
192"

**BODY HT:**  
72"

**EXTENSION:**

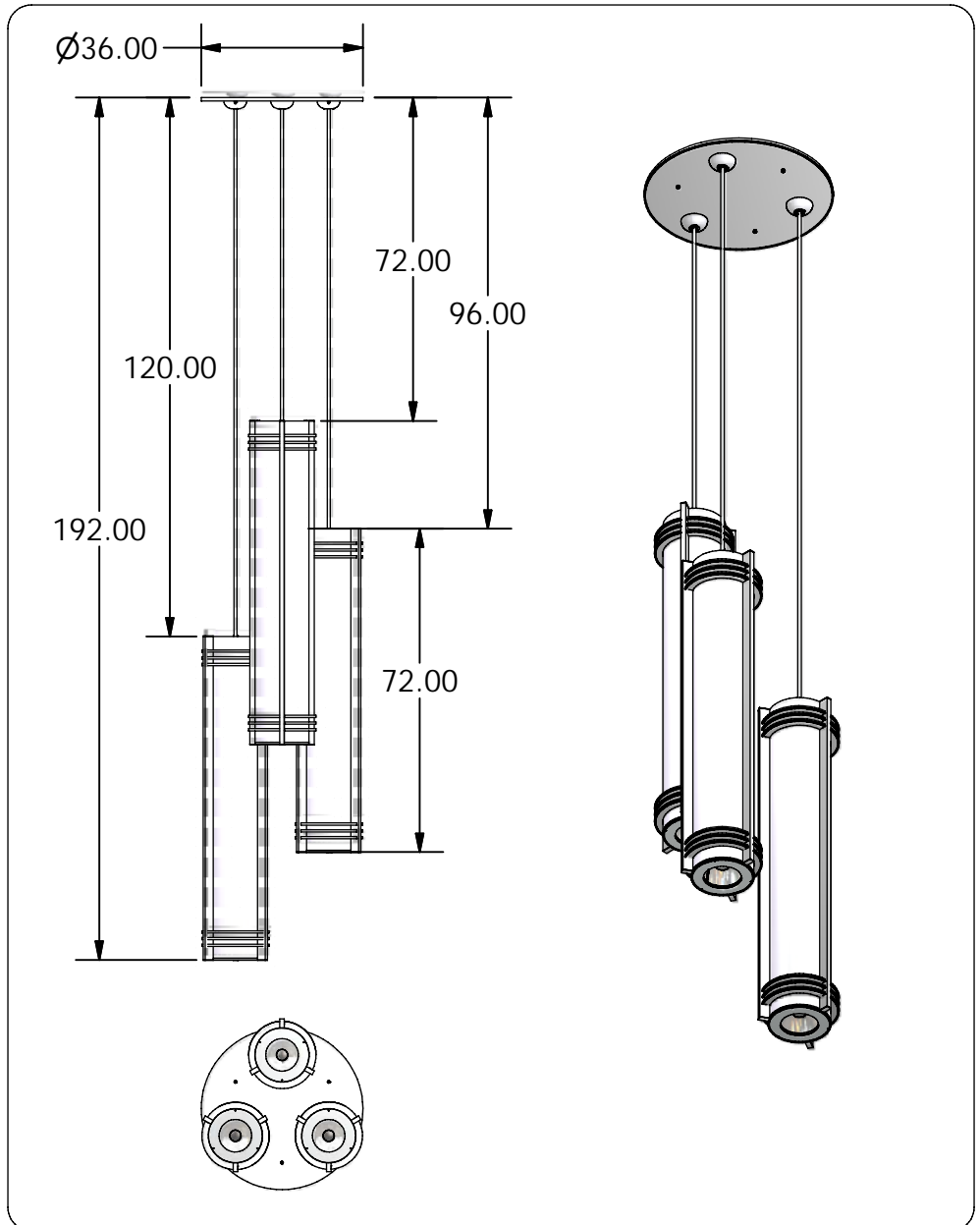
**FINISH:**  
PAINTED STANDARD COLOR

**MATERIAL:**

**DESIGNED BY:** R.V. SHTEYN

**DRAWN BY:**  
R.V. SHTEYN

**OPTIONS:**



QUESTIONS?  
sales@mcfaddenlighting.com

**NOTES:** 72",96" AND 120" DROP