

QUOTE #:
Q1082

FIXTURE:
MP0606-03-5618-INM-0001

LAMPING:
(5) A19 60W MED. BASE (1) PS30 300W
(12) A19 60W MED BASE, 6 UP 6 DOWN

DIFFUSER:
ACRYLIC SMOOTH WHITE

DIAMETER:
56"

O.A. HT:
84"

BODY HT:
30"

EXTENSION:

FINISH:
PAINTED STANDARD COLOR

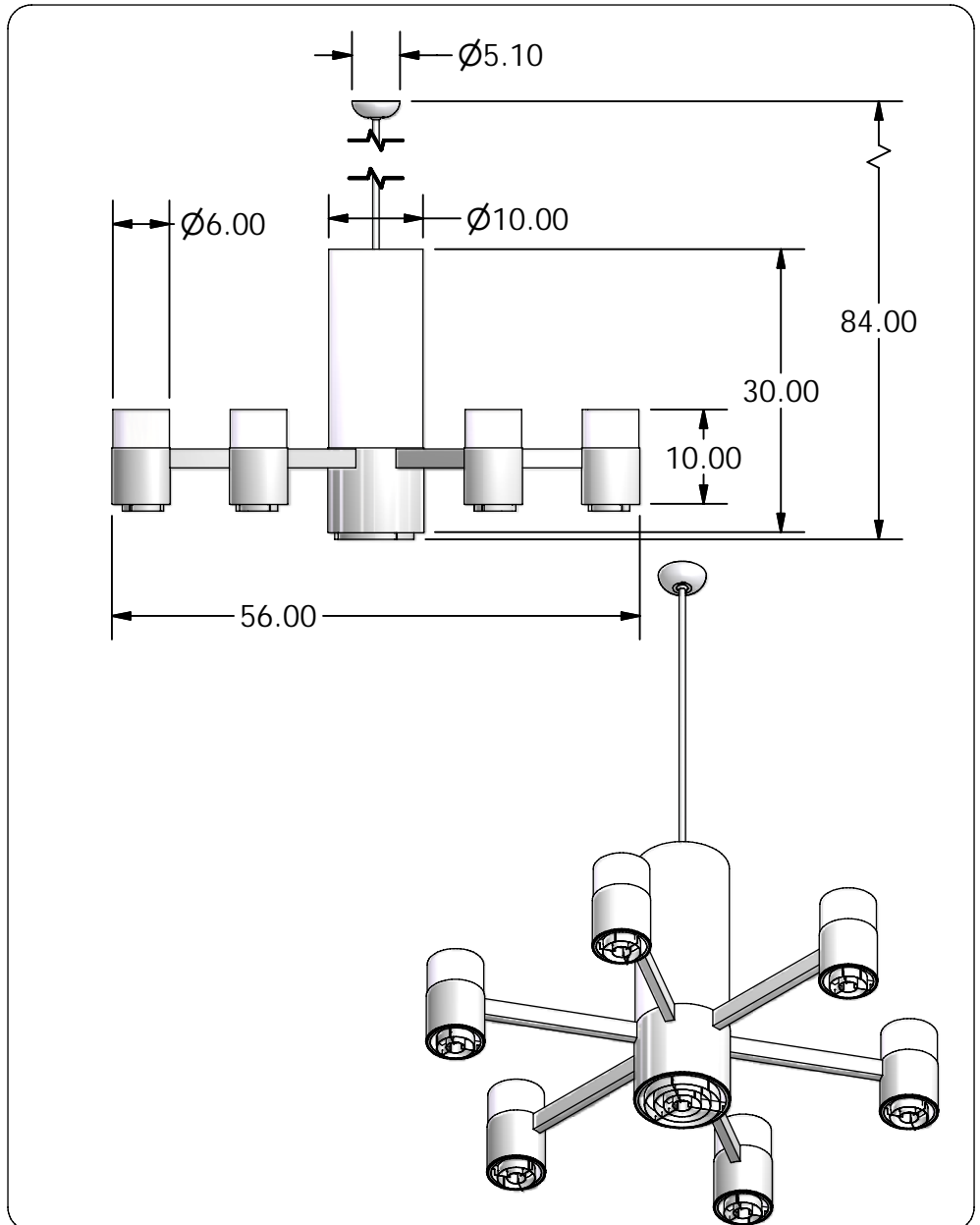
MATERIAL:

DESIGNED BY: R.V. SHTEYN

DRAWN BY:
R.V. SHTEYN

OPTIONS:

QUESTIONS?
sales@mcfaddenlighting.com



NOTES: