

QUOTE #:
Q1290

FIXTURE:
MP0606-03-6127-FTL-0001

LAMPING:
(16) FT40W/2G11 UNV
(4) INSIDE EACH CYLINDER

DIFFUSER:
ACRYLIC SMOOTH WHITE

DIAMETER:
61"

O.A. HT:
T.B.D.

BODY HT:
27"

EXTENSION:

FINISH:
P.T.B. OR P.D.B.

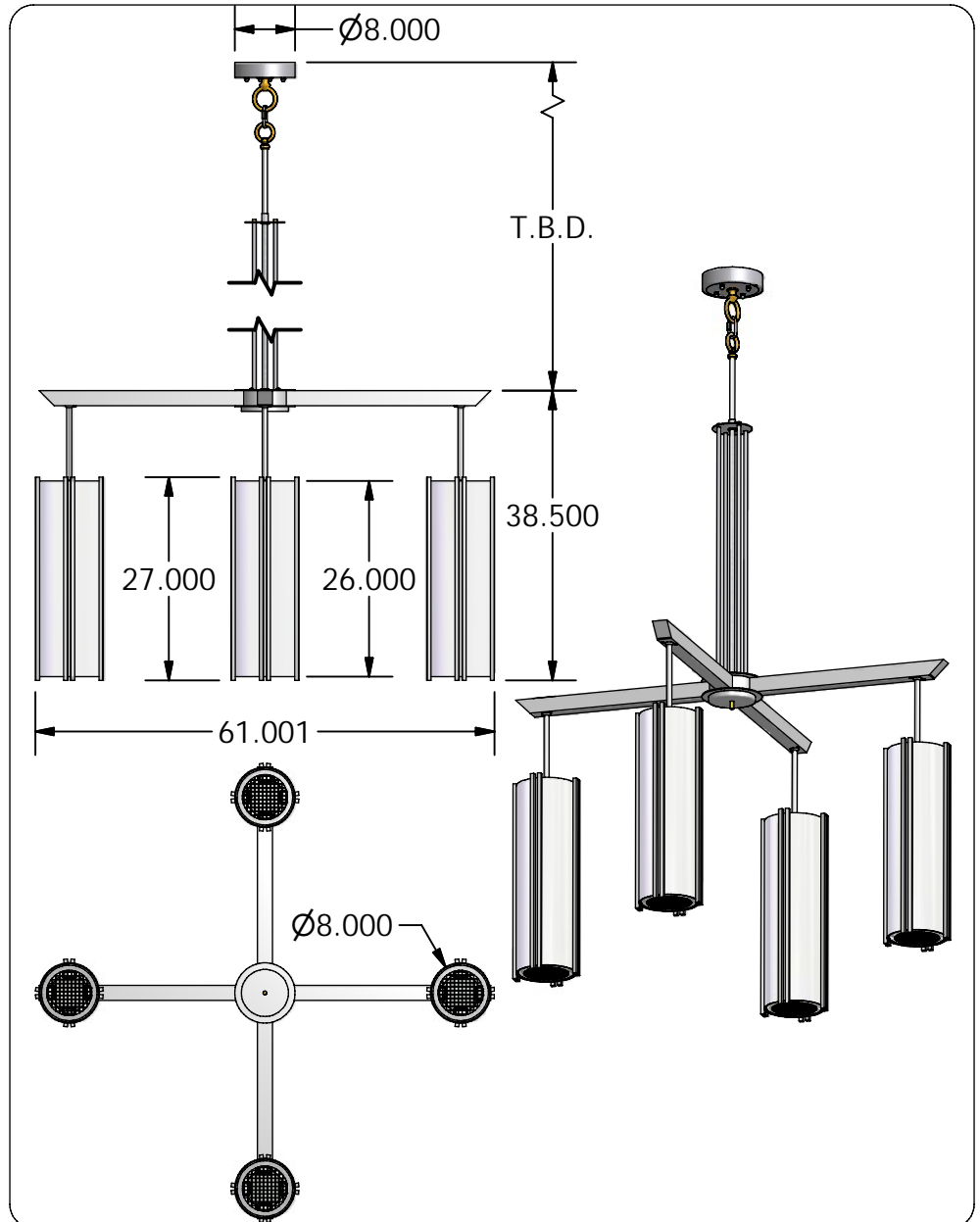
MATERIAL:
ALUMINUM

DESIGNED BY: R.V.SHTEYN

DRAWN BY:
R.V.SHTEYN

OPTIONS:
ESTIMATED FIXTURE WEIGHT 150 LBS

QUESTIONS?
sales@mcfaddenlighting.com



APPROVED BY