

**QUOTE #:**  
Q1127

**FIXTURE:**  
MP0606-04-3624-INM-0001

**LAMPING:**  
(3) A19 60W MED, (1) A-23 200W MED.  
(3) A19 100W , (3) A21 150W OUTRIGERS

**DIFFUSER:**  
ACRYLIC SMOOTH WHITE

**DIAMETER:**  
36"

**O.A. HT:**  
T.B.D.

**BODY HT:**  
24"

**EXTENSION:**

**FINISH:**  
PAINTED STANDARD COLOR

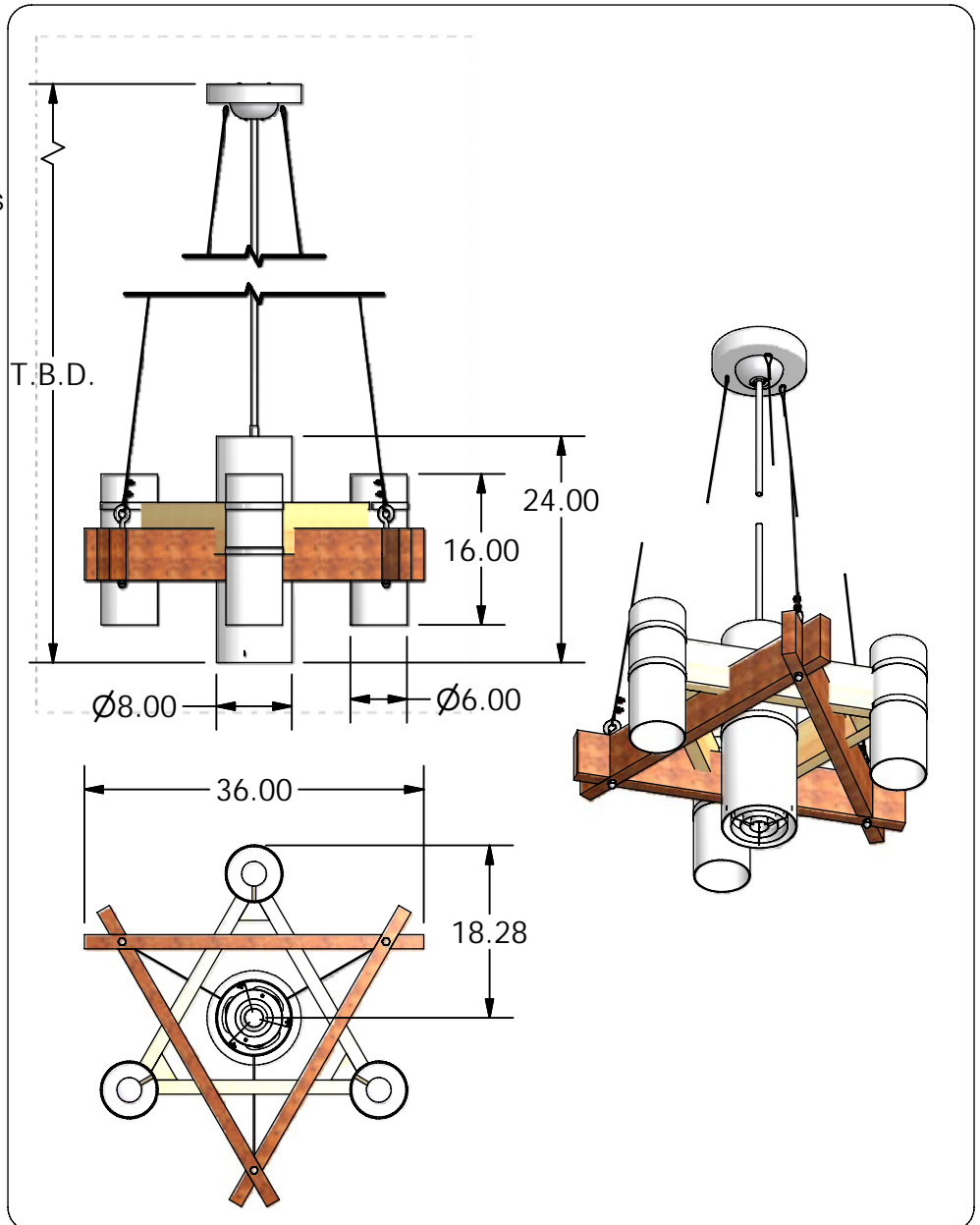
**MATERIAL:**  
WOOD, ALUMINUM

**DESIGNED BY:** R.V. SHTEYN

**DRAWN BY:**  
R.V. SHTEYN

**OPTIONS:**

QUESTIONS?  
sales@mcfaddenlighting.com



**NOTES:**