

**QUOTE #:**  
Q1447

**FIXTURE:**  
MP0609-02-4840-FTL-0001

**LAMPING:**  
(4) FT27W/2G11 UNV  
(12) CFTR32W/GX24q-4, (2)  
CFT42W/GX24-q-4 DOWN  
**DIFFUSER:**  
ACRYLIC SMOOTH WHITE

**DIAMETER:**  
48"

**O.A. HT:**  
T.B.D.

**BODY HT:**  
40 3/4"

**EXTENSION:**

**FINISH:**  
PAINTED STANDARD COLOR

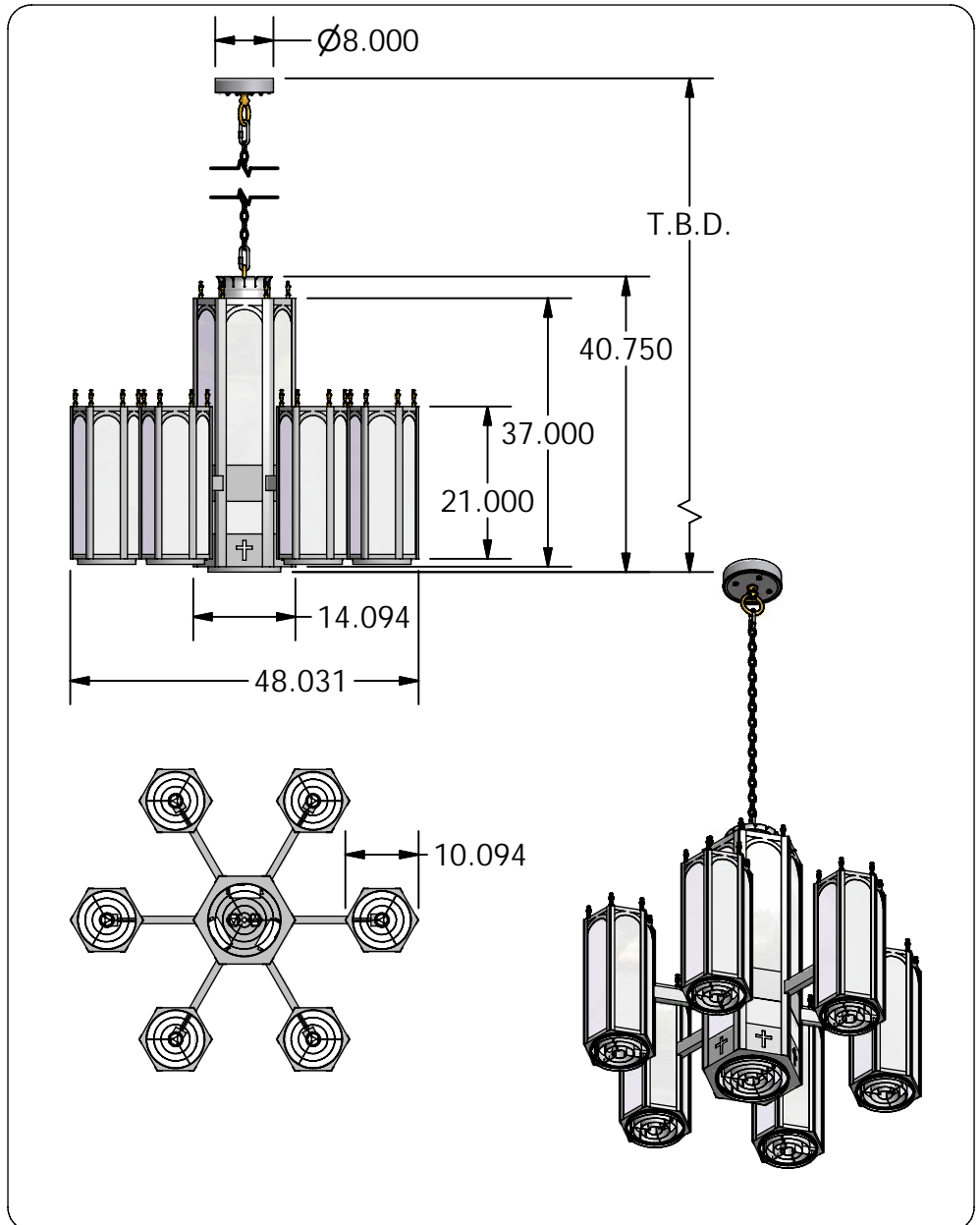
**MATERIAL:**  
18 GA STEEL

**DESIGNED BY:** R.V.SHTEYN

**DRAWN BY:**  
R.V.SHTEYN

**OPTIONS:**

QUESTIONS?  
sales@mcfaddenlighting.com



**NOTES:** ESTIMATED FIXTURE WEIGHT IS 150 LBS. FIXTURE MOUNTS TO 1/4-20 ANCHORS BY OTHERS