

QUOTE #:  
Q1785

FIXTURE:  
MP0609-03-4828-CFT-0001

LAMPING:  
(6) CFTR70W/GX24q-6 UNV  
(2) IN EACH OUTRIGGER

DIFFUSER:  
ACRYLIC SMOOTH WHITE

DIAMETER:  
47 1/2"

O.A. HT:  
60"

BODY HT:  
28"

EXTENSION:

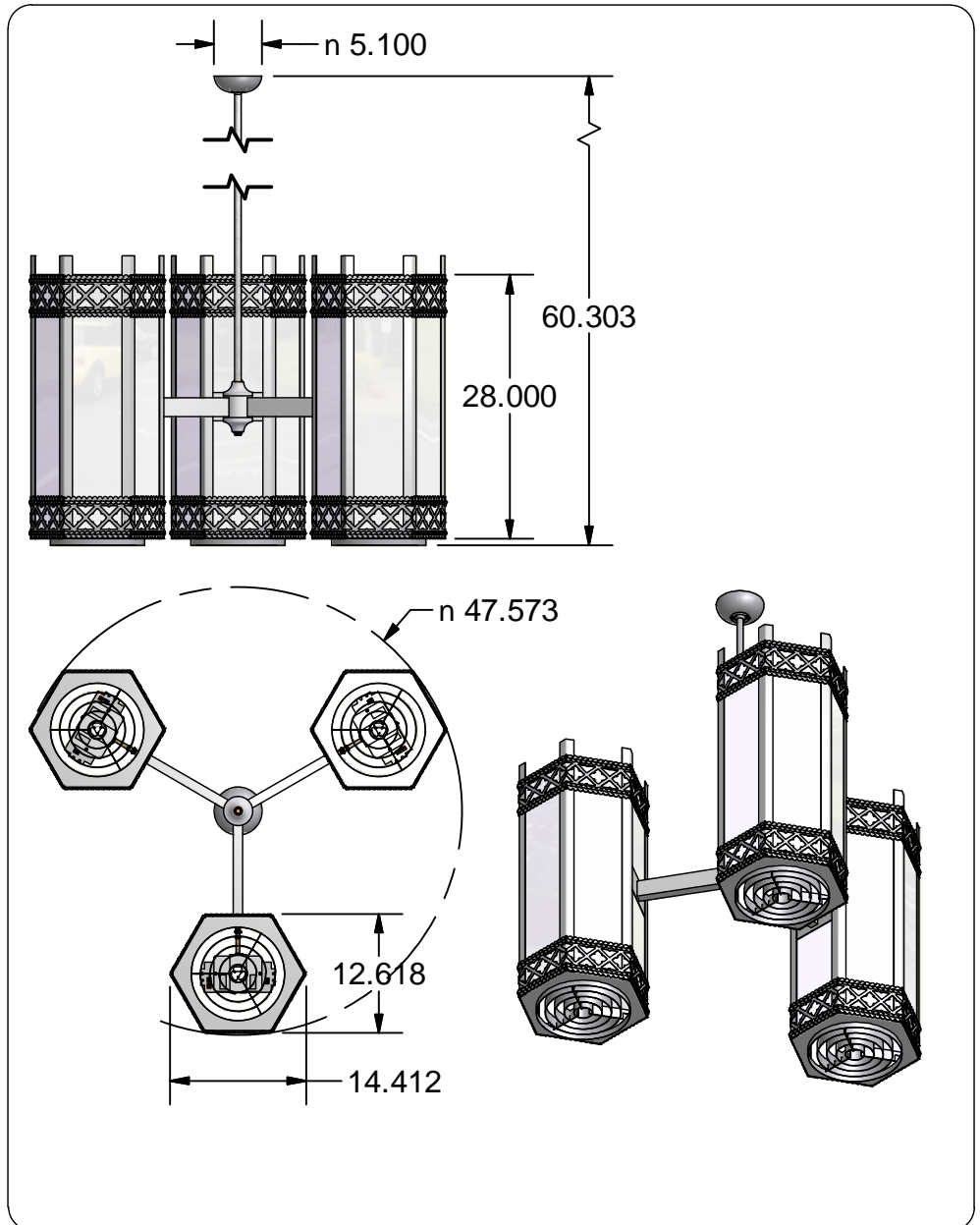
FINISH:  
PAINTED STANDARD COLOR

MATERIAL:  
18 GA STEEL, ALUMINUM

DESIGNED BY: R.V.SHTEYN

DRAWN BY:  
R.V.SHTEYN

OPTIONS:



QUESTIONS?  
sales@mcfaddenlighting.com

NOTES: