

**QUOTE #:**  
Q1783

**FIXTURE:**  
MP0902-03-3621-CFQ-0001

**LAMPING:**  
(8) 42W CFTR

**DIFFUSER:**  
FABRIC SHADE

**DIAMETER:**  
36.00"

**O.A. HT:**  
T.B.D.

**BODY HT:**  
21.00"

**EXTENSION:**

**FINISH:**  
T.B.D.

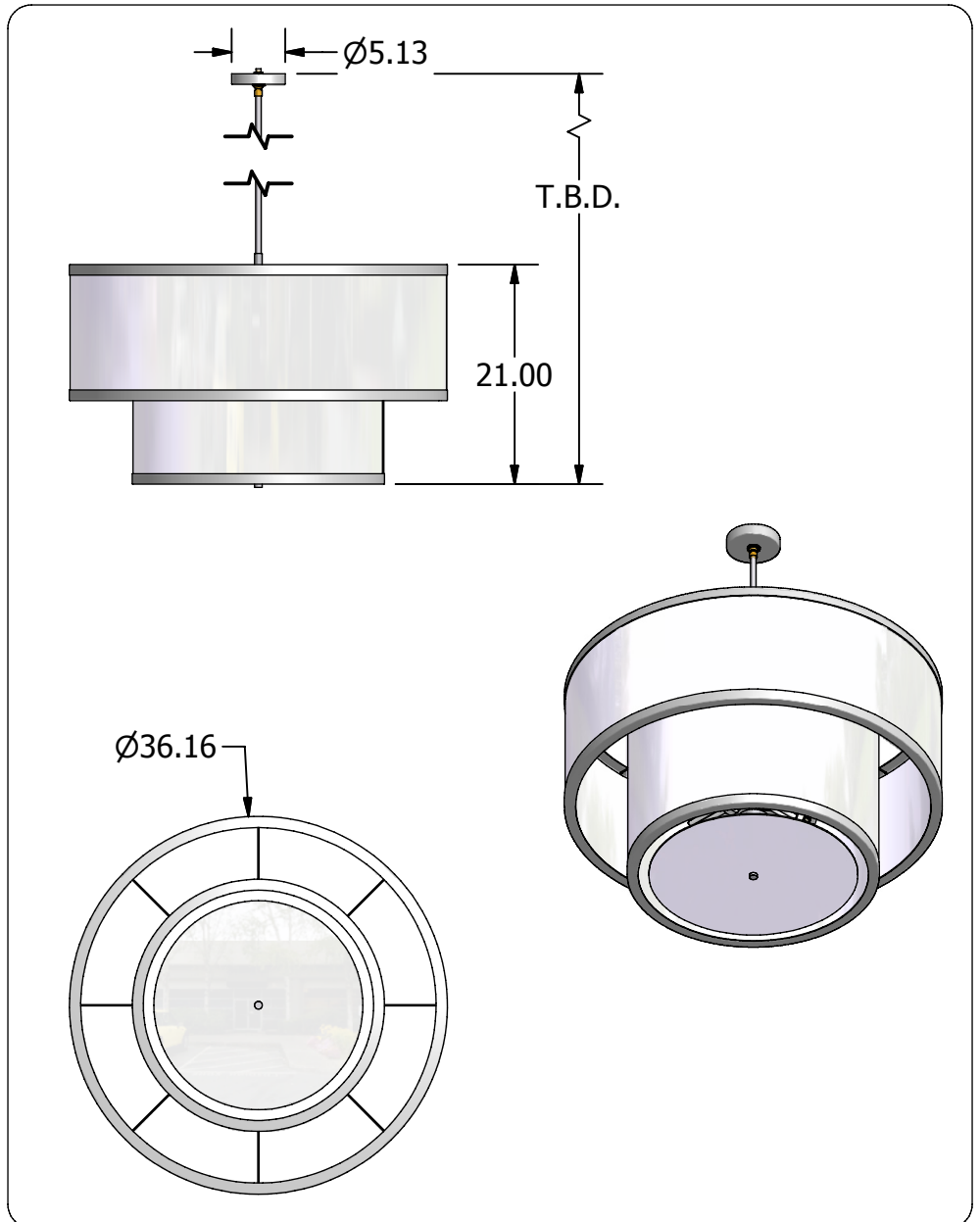
**MATERIAL:**  
ALUMINUM

**DESIGNED BY:** R.V.SHTEYN

**DRAWN BY:**  
SCOTT

**OPTIONS:**  
LUTRON ECO SYSTEM DIMMING  
BALLAST

QUESTIONS?  
sales@mcfaddenlighting.com



**NOTES:** APPROVED BY: