

QUOTE #:
Q1294

FIXTURE:
MP0906-02-0614-INM-0001

LAMPING:
(1) PS30 300W MED. BASE. 120V

DIFFUSER:
ACRYLIC SMOOTH WHITE

DIAMETER:
6"

O.A. HT:
T.B.D.

BODY HT:
14"

EXTENSION:

FINISH:
PAINTED STANDARD COLOR

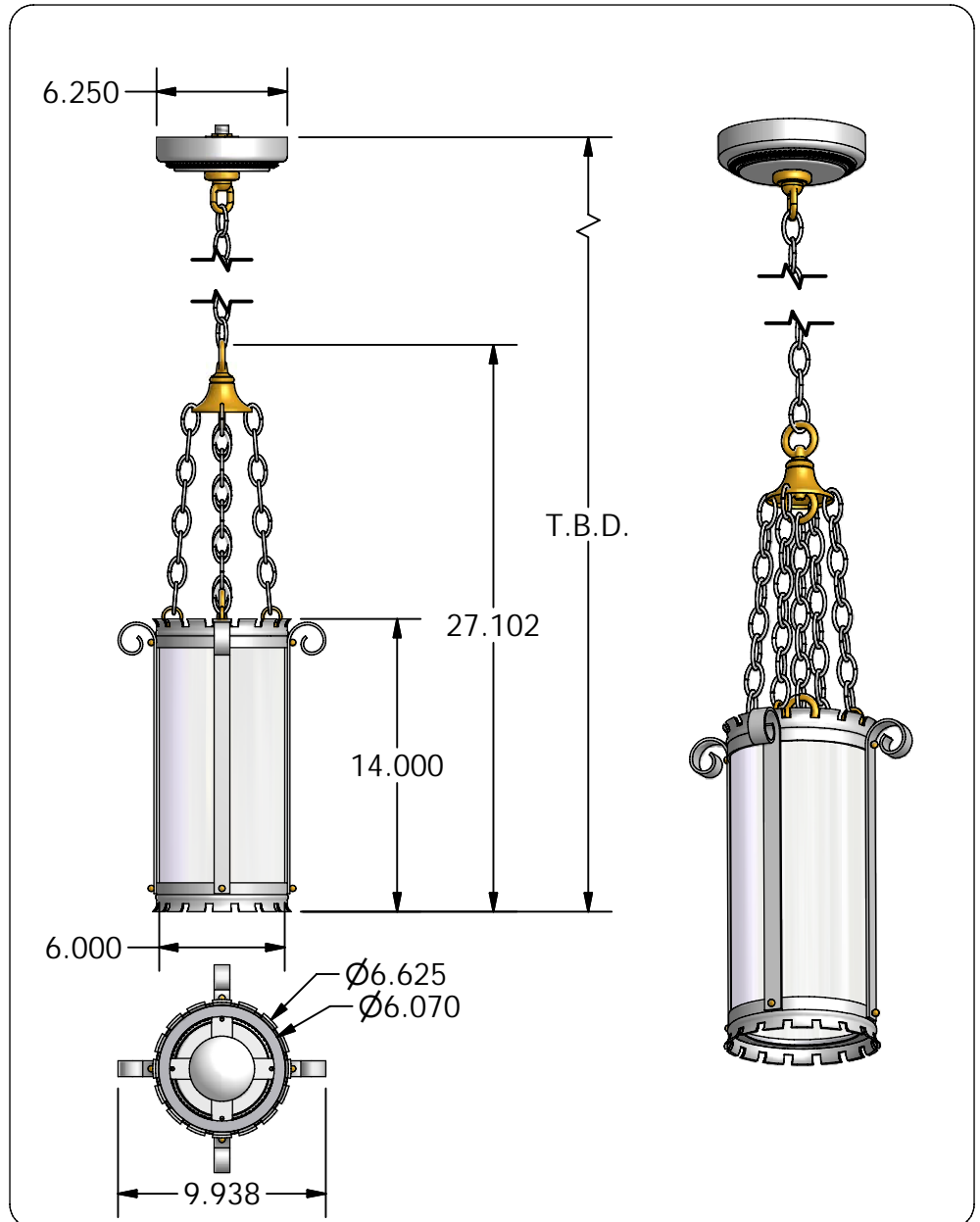
MATERIAL:
ALUMINUM

DESIGNED BY: R.V.SHTEYN

DRAWN BY:
R.V.SHTEYN

OPTIONS:

QUESTIONS?
sales@mcfaddenlighting.com



NOTES: