

**QUOTE #:**

Q1454

**FIXTURE:**

MP0906-02-1027-CFT-0001

**LAMPING:**

(1) CFTR42W/GX24q-4 UNV

**DIFFUSER:**

ACRYLIC SMOOTH WHITE

**DIAMETER:**

10"

**O.A. HT:**

T.B.D.

**BODY HT:**

27 3/8"

**EXTENSION:**

8' CHAIN STANDARD

**FINISH:**

PAINTED STANDARD COLOR

**MATERIAL:**

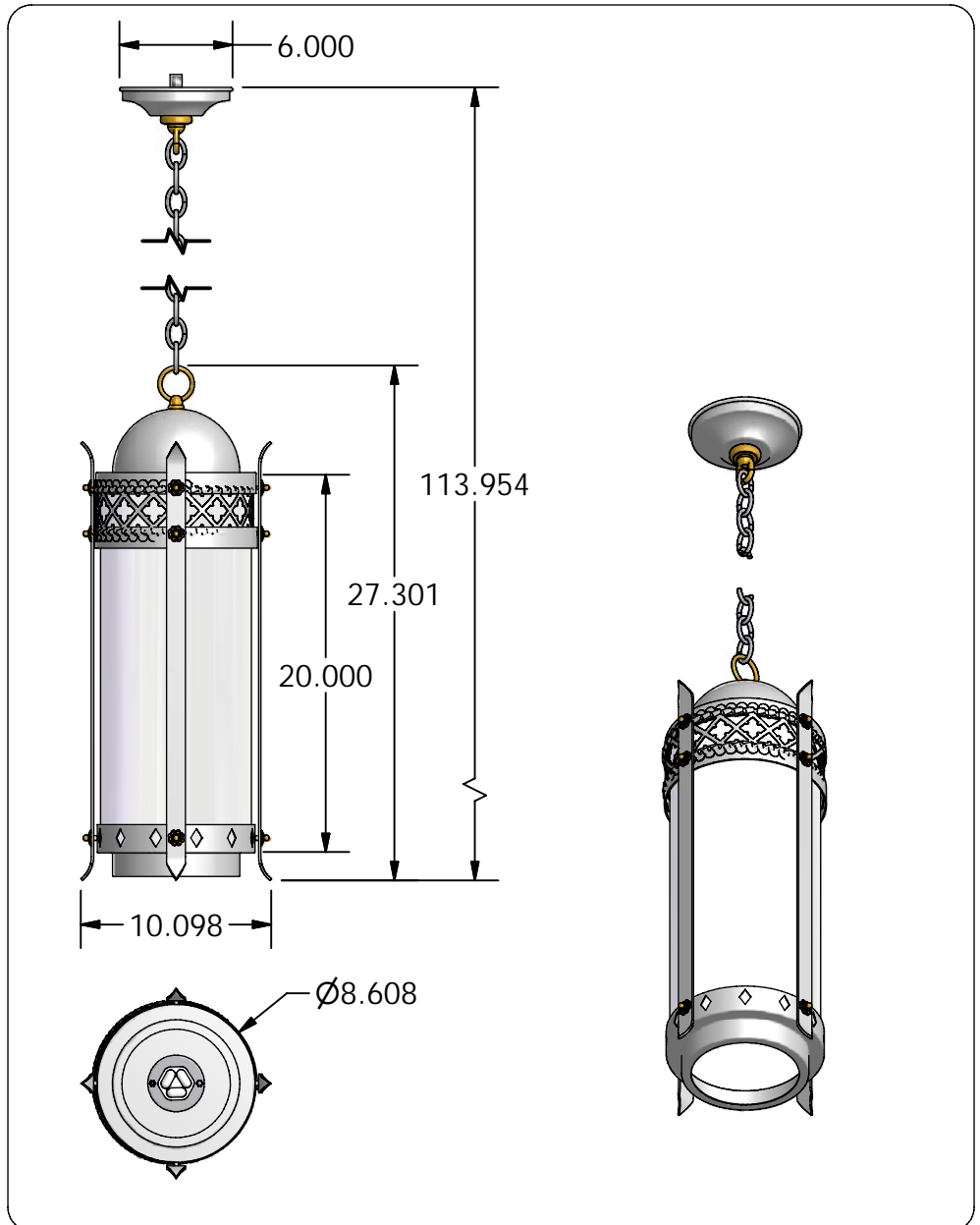
ALUMINUM

**DESIGNED BY:** R.V.SHTEYN

**DRAWN BY:**

R.V.SHTEYN

**OPTIONS:**



**QUESTIONS?**

sales@mcfaddenlighting.com

**NOTES:** FOR OUTDOOR INSTALLATION GUY WIRES BY OTHERS ARE RECOMMENDED.