

**QUOTE #:**  
Q1666

**FIXTURE:**  
MP0906-02-1131-CFT-0001

**LAMPING:**  
(2) CFTR42W/GX24q-4 UNV

**DIFFUSER:**  
ACRYLIC SMOOTH WHITE

**DIAMETER:**  
10"

**O.A. HT:**  
T.B.D.

**BODY HT:**  
31"

**EXTENSION:**

**FINISH:**  
PAINTED STANDARD COLOR

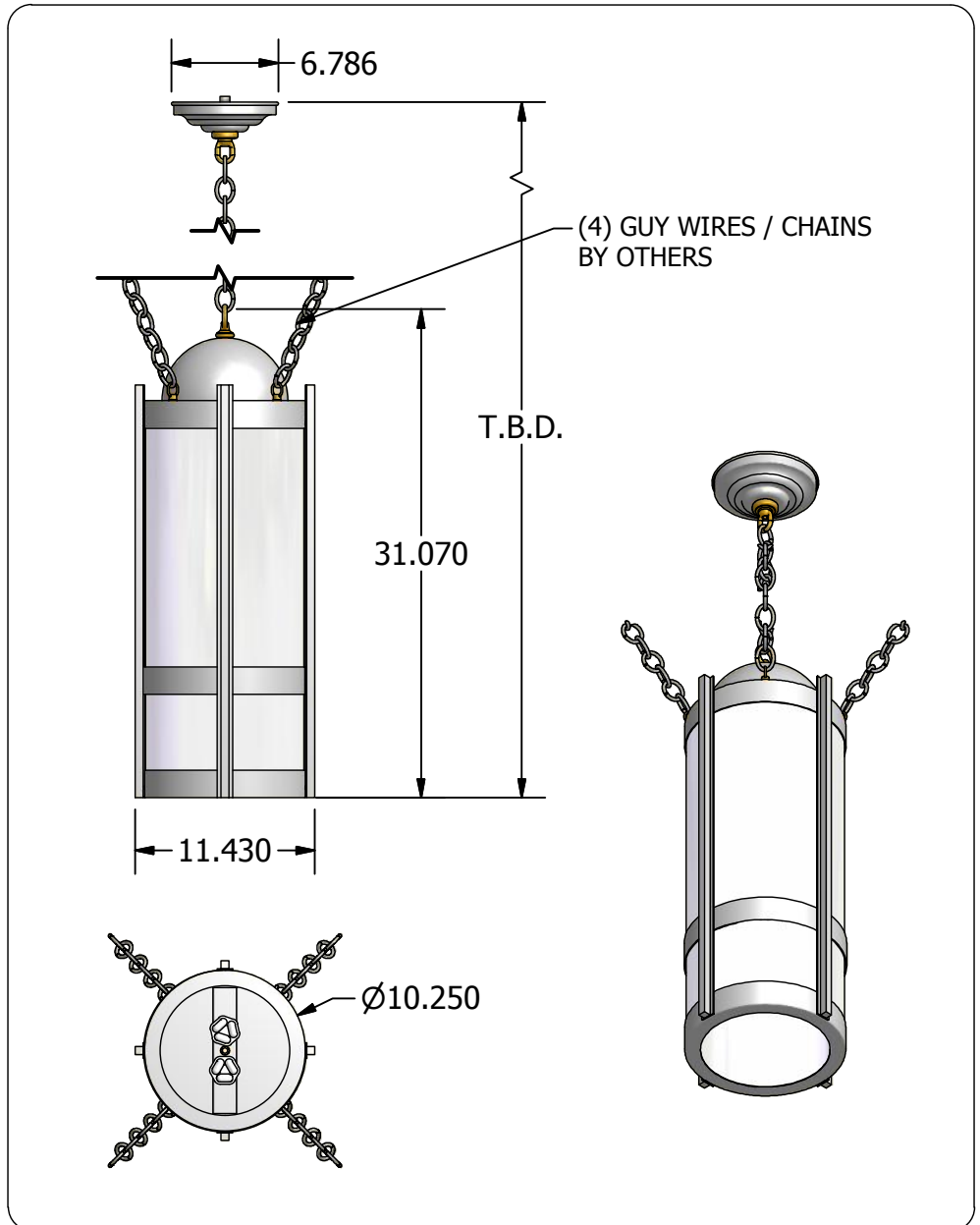
**MATERIAL:**  
ALUMINUM, BRASS

**DESIGNED BY:** R.V.SHTEYN

**DRAWN BY:**  
R.V.SHTEYN

**OPTIONS:**

QUESTIONS?  
sales@mcfaddenlighting.com



**NOTES:** FIXTURE EQUIPPED WITH (4) LOOPS FOR GUY WIRES/ CHAINS BY OTHERS