

QUOTE #:
Q1106

FIXTURE:
MP0906-03-0872-FT5-0001 Q1106

LAMPING:
(2) T5 54W/G5 MINI BIPIN BASE UNV
(1) PRR16 50W MED. BASE

DIFFUSER:
ACRYLIC SMOOTH WHITE

DIAMETER:
8"

O.A. HT:
T.B.D.

BODY HT:
72"

EXTENSION:

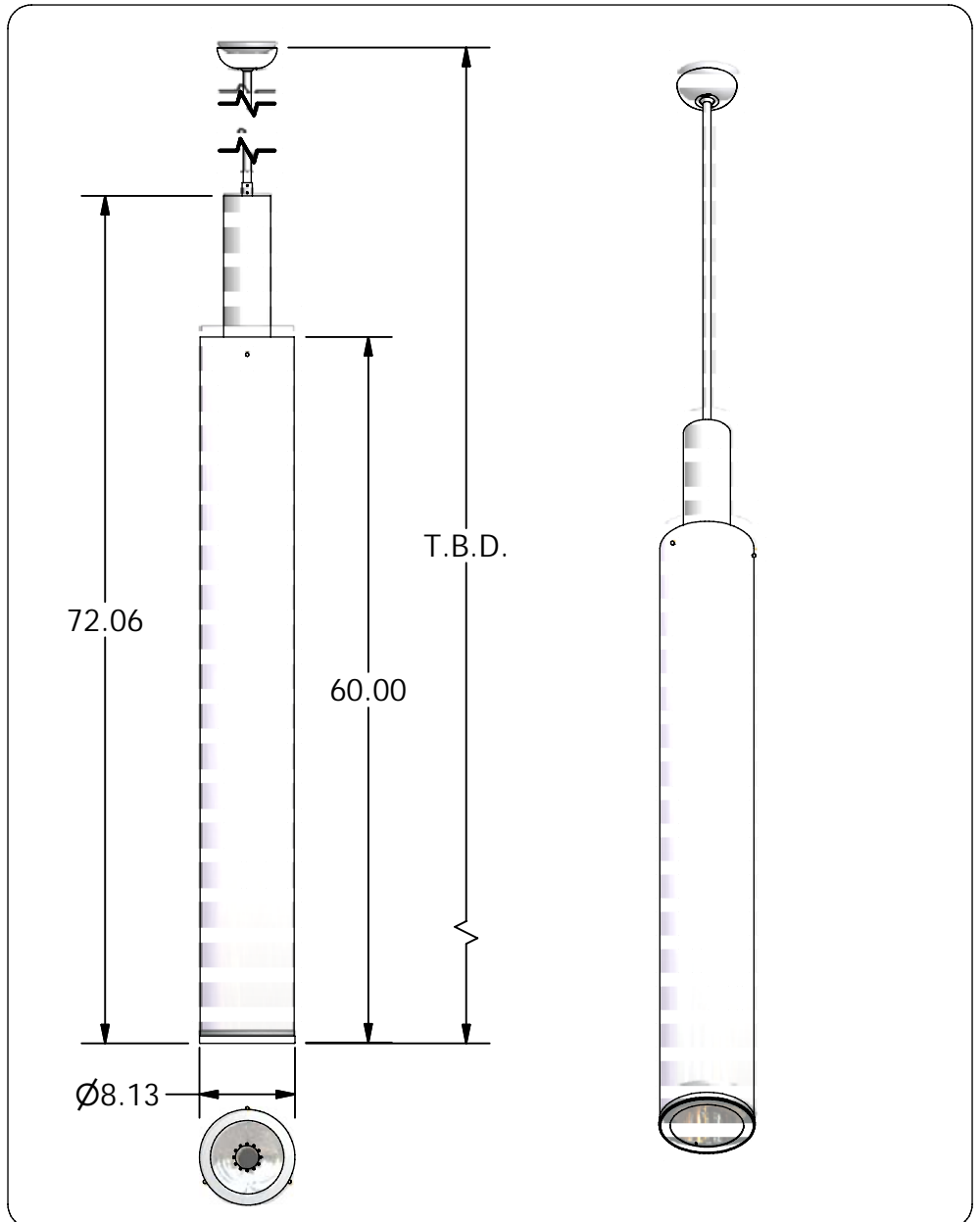
FINISH:
PAINTED STANDARD COLOR

MATERIAL:

DESIGNED BY: R.V. SHTEYN

DRAWN BY:
R.V. SHTEYN

OPTIONS:



QUESTIONS?
sales@mcfaddenlighting.com

NOTES: