

QUOTE #:

Q1290

FIXTURE:

MP0906-03-0922-FTL-0002

LAMPING:

(2) FT39W/2G11 UNV

DIFFUSER:

ACRYLIC SMOOTH WHITE

DIAMETER:

9"

O.A. HT:

31 3/4"

BODY HT:

21 1/2"

EXTENSION:

FINISH:

PAINTED STANDARD COLOR

MATERIAL:

ALUMINUM

DESIGNED BY: R.V.SHTEYN

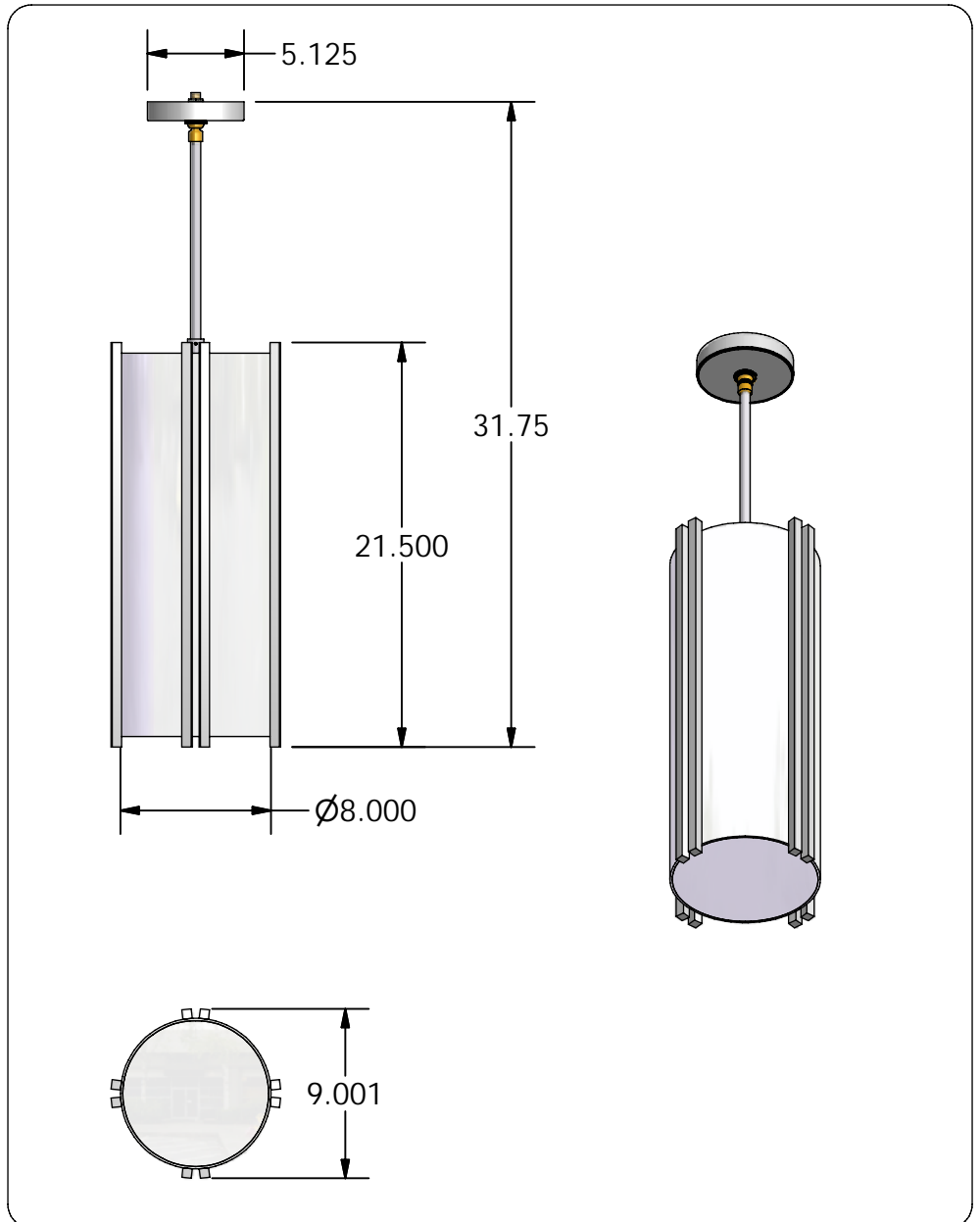
DRAWN BY:

R.V.SHTEYN

OPTIONS:

QUESTIONS?

sales@mcfaddenlighting.com



NOTES: