

**QUOTE #:**  
Q1253

**FIXTURE:**  
MP0906-03-1017-MHM-0001

**LAMPING:**  
(1) E17 100W MED. BASE  
REMOTE BALLAST UPTO 5 FT BTL

**DIFFUSER:**  
ACRYLIC SMOOTH WHITE

**DIAMETER:**  
9 1/2"

**O.A. HT:**  
T.B.D.

**BODY HT:**  
17 1/8"

**EXTENSION:**

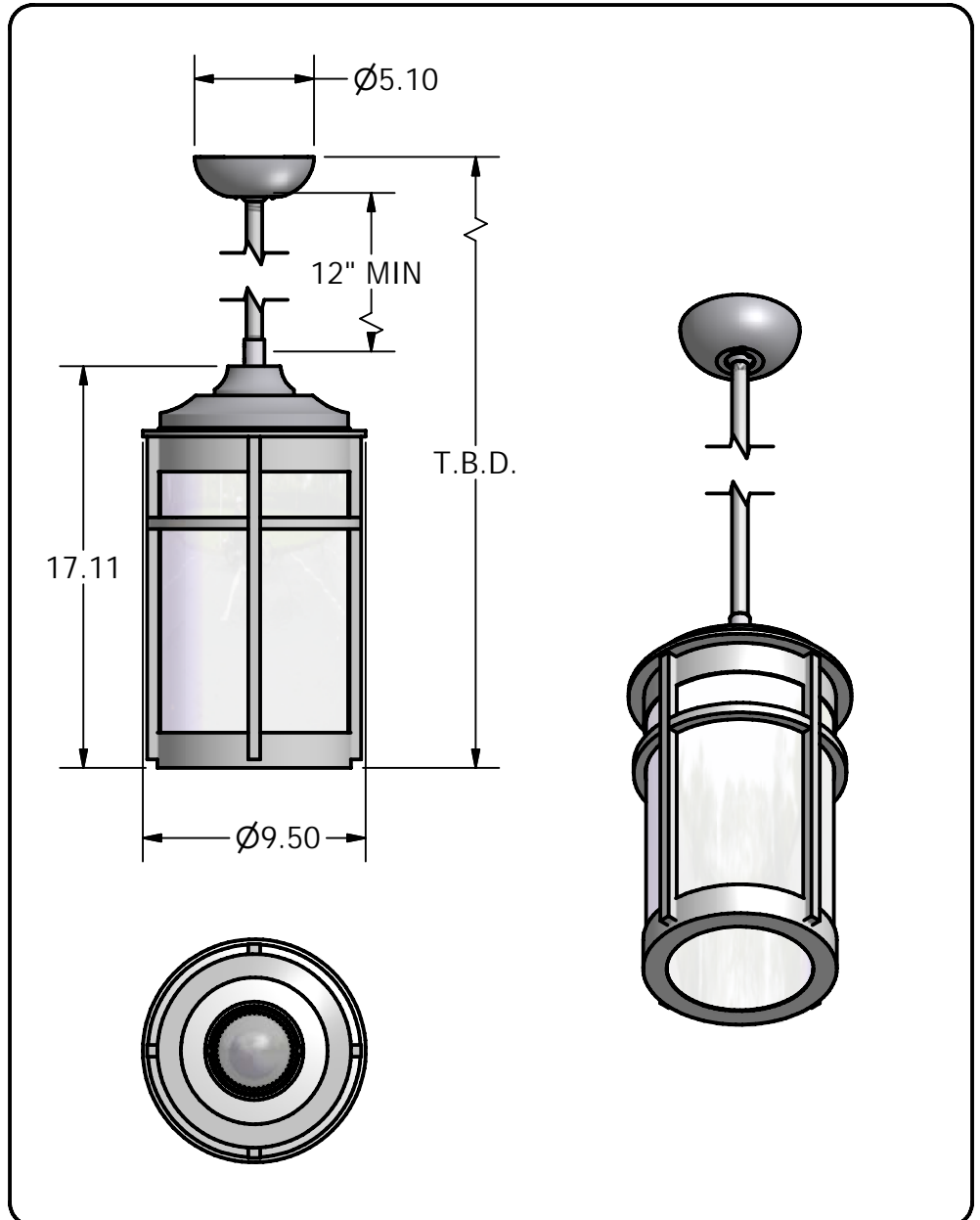
**FINISH:**  
PAINTED STANDARD COLOR

**MATERIAL:**  
ALUMINUM

**DESIGNED BY:** R.V.SHTEYN

**DRAWN BY:**  
R.V.SHTEYN

**OPTIONS:**



QUESTIONS?  
sales@mcfaddenlighting.com

**NOTES:**