

QUOTE #:
Q1779

FIXTURE:
MP-0906-03-1023-FTL-0001 Q1779

LAMPING:
(1) 75W PAR 30 & (2) 39W 2G11

DIFFUSER:
ACRYLIC SMOOTH WHITE

DIAMETER:
11.25"

O.A. HT:
T.B.D.

BODY HT:
24.50"

EXTENSION:

FINISH:
PAINTED STANDARD COLOR

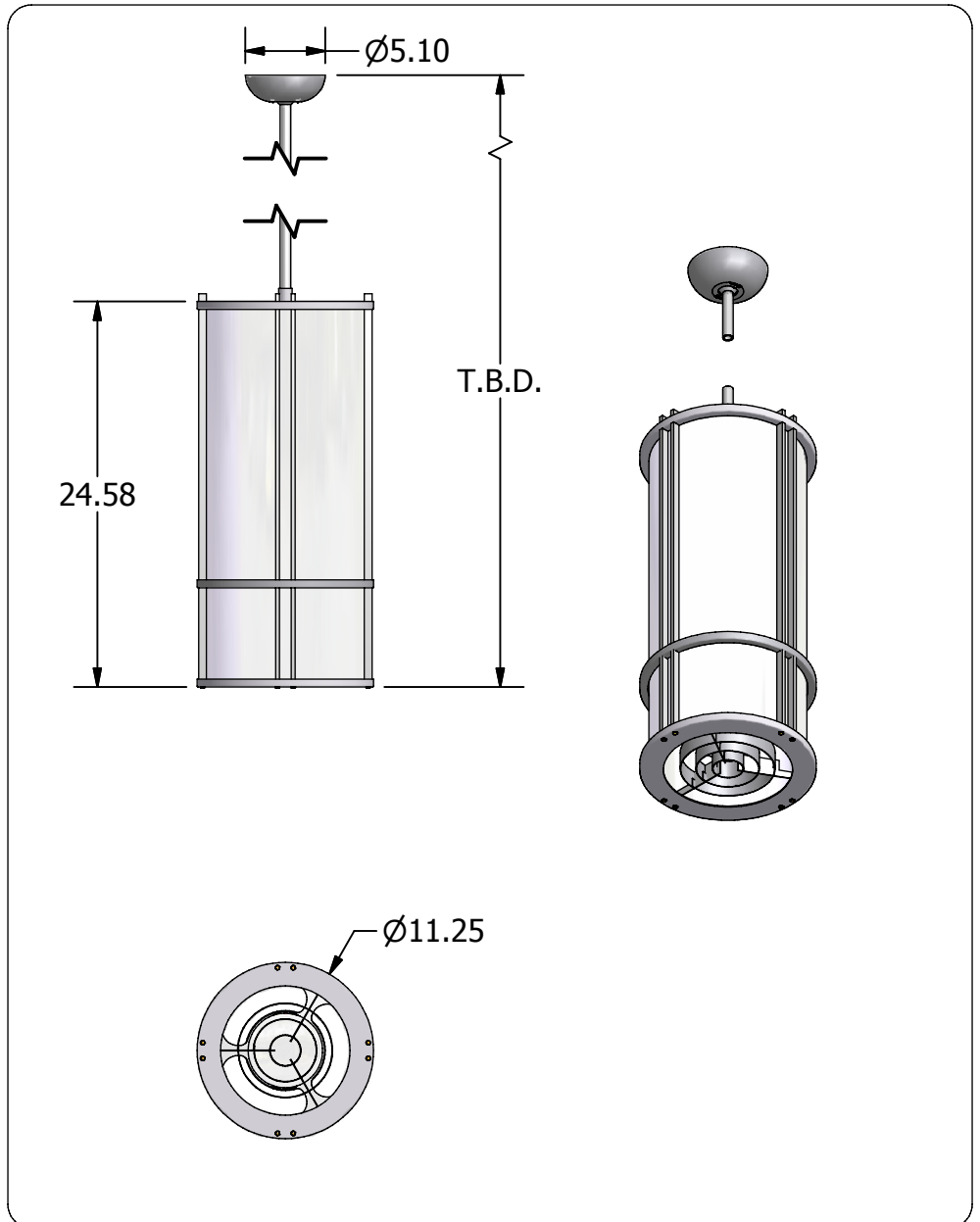
MATERIAL:
ALUMINUM/STEEL

DESIGNED BY: SCOTT

DRAWN BY:
SCOTT

OPTIONS:
LUTRON ECO SYSTEM DIMMING
BALLAST

QUESTIONS?
sales@mcfaddenlighting.com



NOTES: APPROVED BY: