

QUOTE #:
Q1211

FIXTURE:
MP0906-03-1130-FTL-0001

LAMPING:
(4) FT40W/2G11 UNV
(1) PAR-38 250W QH MED. BASE 120V

DIFFUSER:
ACRYLIC SMOOTH WHITE

DIAMETER:
10 1/2"

O.A. HT:
T.B.D.

BODY HT:
30"

EXTENSION:

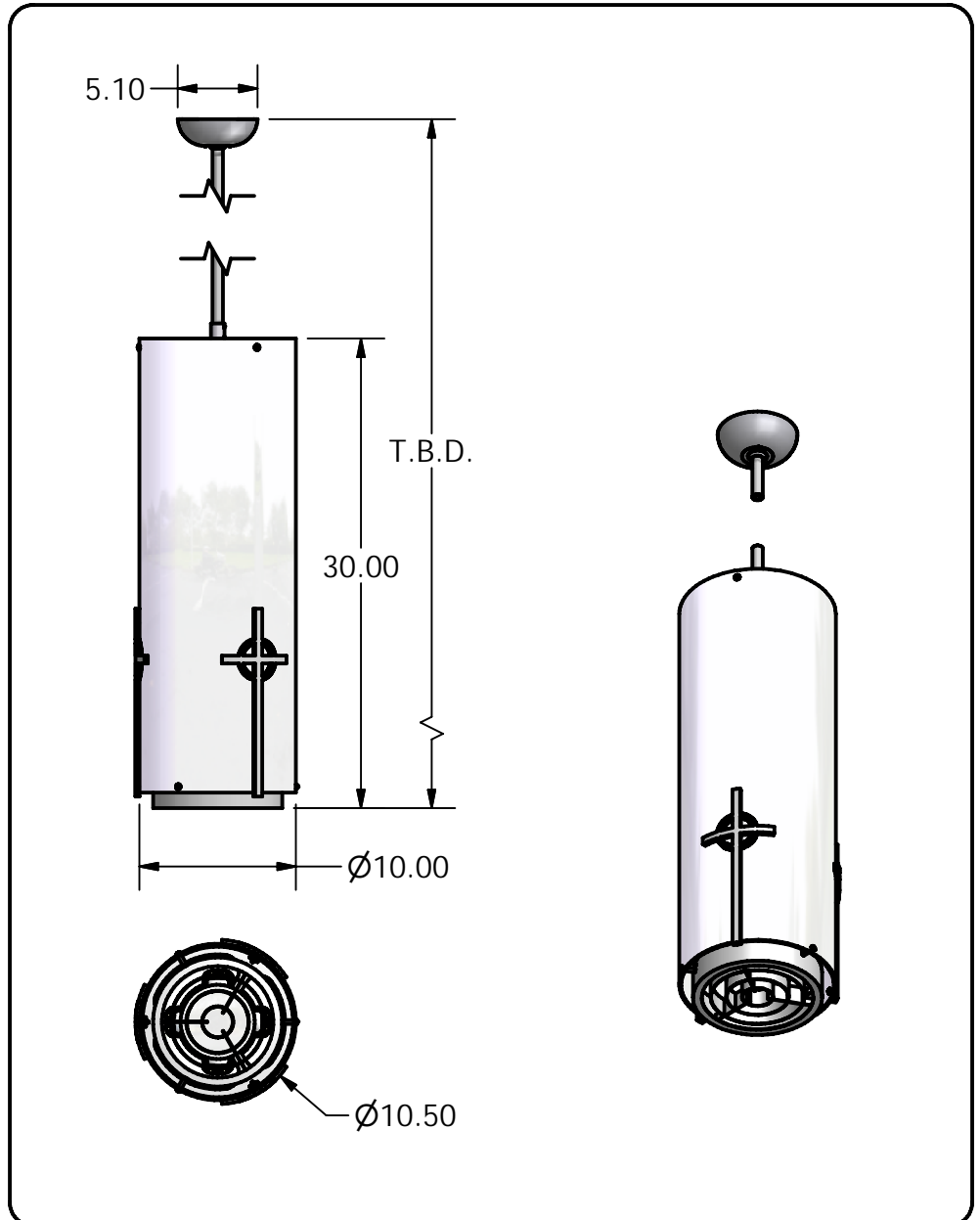
FINISH:
PAINTED STANDARD COLOR

MATERIAL:
ALUMINUM

DESIGNED BY: R.V.SHTEYN

DRAWN BY:
R.V.SHTEYN

OPTIONS:



QUESTIONS?
sales@mcfaddenlighting.com

NOTES: qUARTZ HALOGEN LAMP MUST BE OPEN FIXTURE RATED