

**QUOTE #:**  
Q1412

**FIXTURE:**  
MP0906-03-1131-FTL-0001

**LAMPING:**  
(4) FT40W/2G11 120V  
(1) PAR-38 250W MED. BASE

**DIFFUSER:**  
ACRYLIC SMOOTH WHITE

**DIAMETER:**  
11 1/4"

**O.A. HT:**  
T.B.D.

**BODY HT:**  
31"

**EXTENSION:**

**FINISH:**  
PAINTED STANDARD COLOR

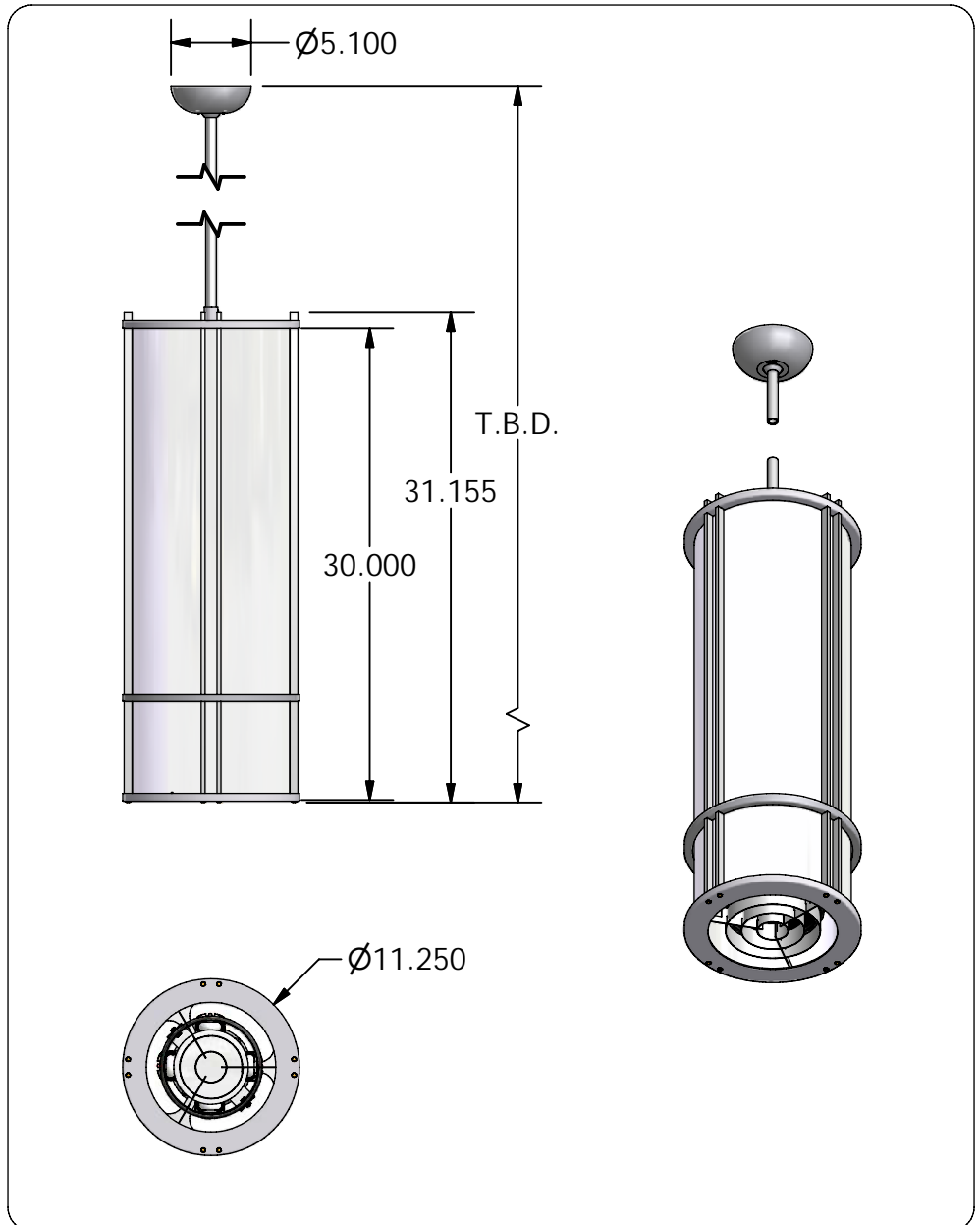
**MATERIAL:**  
ALUMINUM

**DESIGNED BY:** R.V.SHTEYN

**DRAWN BY:**  
R.V.SHTEYN

**OPTIONS:**  
INTEGRAL DIMMING BALLAST LUTRON  
ECO-10

QUESTIONS?  
sales@mcfaddenlighting.com



**NOTES:** PAR-38 250W QUARTZ HALOGEN LAMP OPEN FIXTURE RATED