

QUOTE #:
Q1740

FIXTURE:
MP0906-03-1229-FTL-0001

LAMPING:
(4) FT39W/2G11 UNV

DIFFUSER:
ACRYLIC SMOOTH WHITE

DIAMETER:
14 1/2"

O.A. HT:
T.B.D.

BODY HT:
30"

EXTENSION:

FINISH:
PAINTED STANDARD COLOR

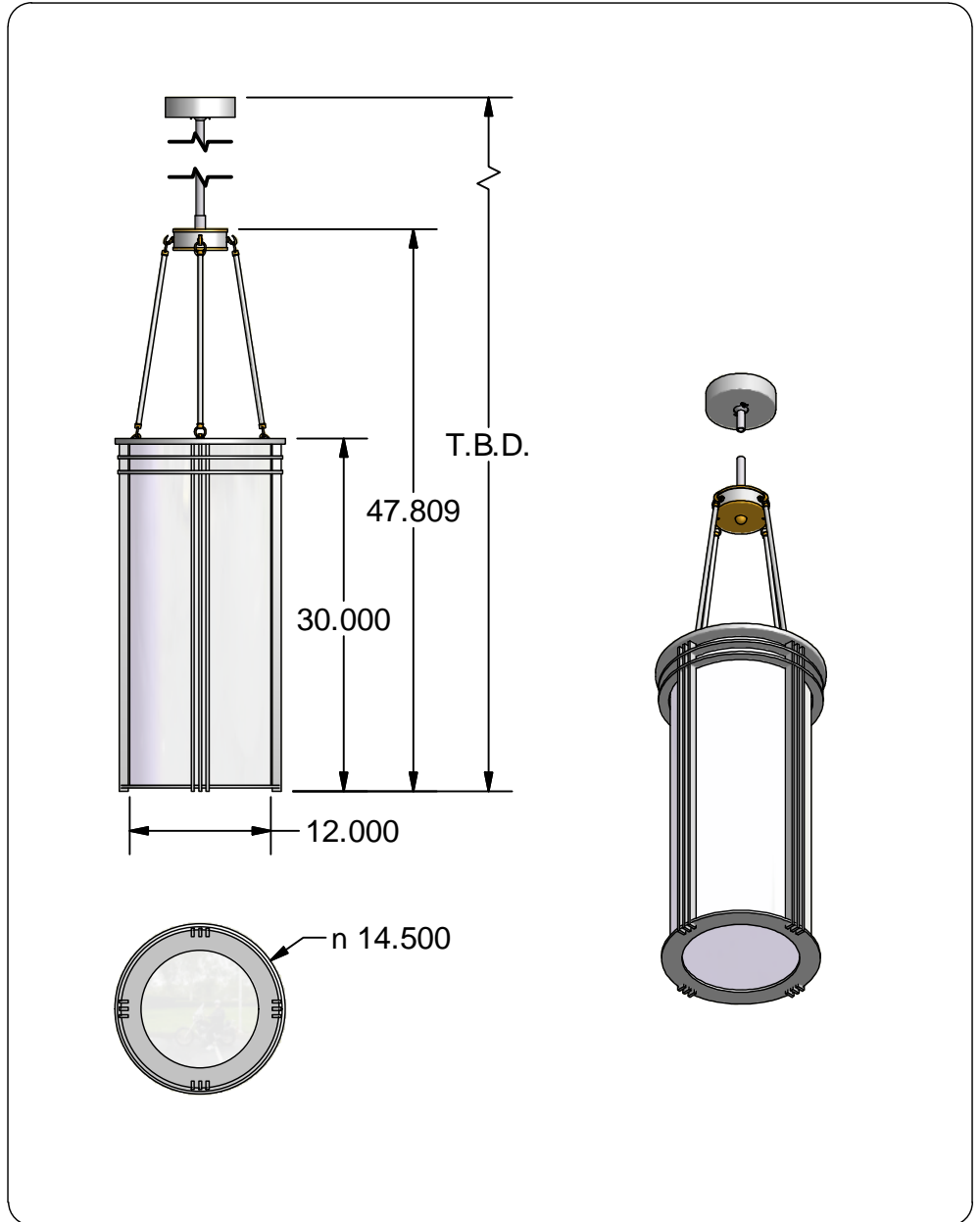
MATERIAL:
ALUMINUM

DESIGNED BY: R.V.SHTEYN

DRAWN BY:
R.V.SHTEYN

OPTIONS:

QUESTIONS?
sales@mcfaddenlighting.com



NOTES: