

QUOTE #:
Q1211

FIXTURE:
MP0906-03-1236-INM-0002

LAMPING:
(5) A19 100W MED. BASE.
(1) T4 500W QUARTZ MINI CAN. 120V

DIFFUSER:
ACRYLIC SMOOTH WHITE

DIAMETER:
10 1/2"

O.A. HT:
T.B.D.

BODY HT:
30"

EXTENSION:

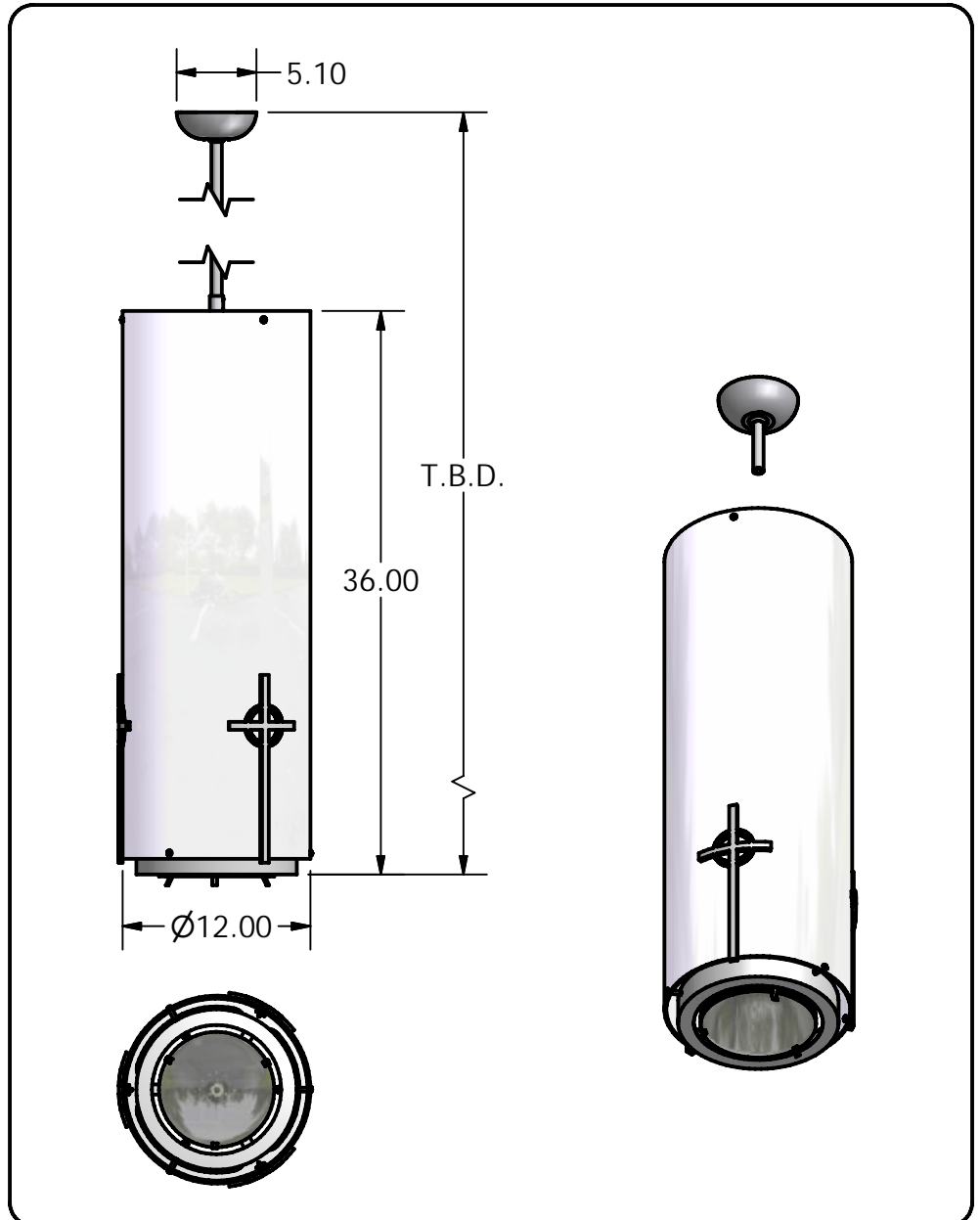
FINISH:
PAINTED STANDARD COLOR

MATERIAL:
ALUMINUM

DESIGNED BY: R.V.SHTEYN

DRAWN BY:
R.V.SHTEYN

OPTIONS:
CLEAR TEMPERED GLASS BOTTOM
LENS



QUESTIONS?
sales@mcfaddenlighting.com

NOTES: