

QUOTE #:
Q1839

FIXTURE:
MP0906-03-2324-INM-0001 Q1839

LAMPING:
(3) 60W T-10 MED. BASE

DIFFUSER:
ACRYLIC IVORY FROSTED

DIAMETER:
26.50"

O.A. HT:
T.B.D.

BODY HT:
24.00"

EXTENSION:

FINISH:
T.B.D.

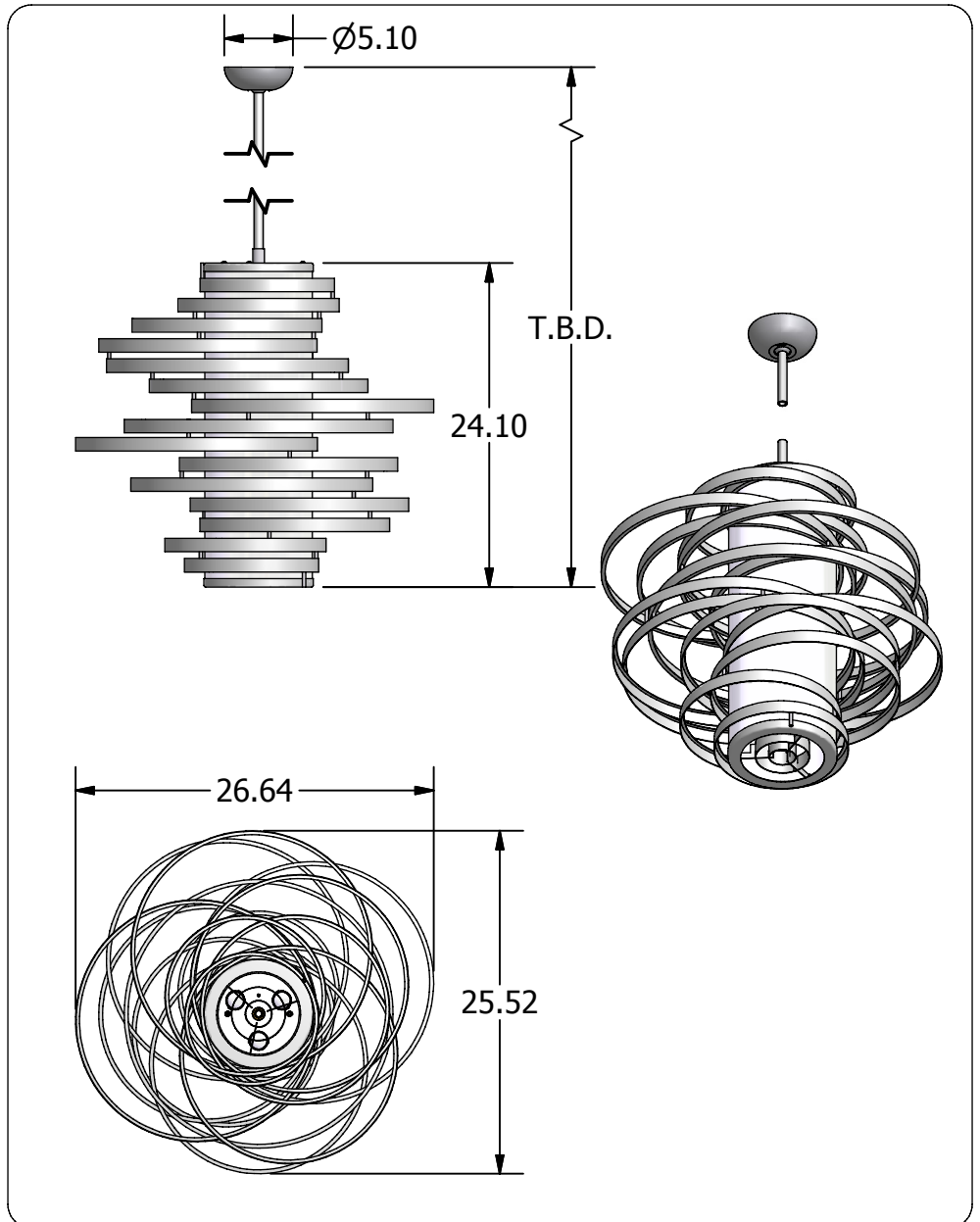
MATERIAL:
ALUMINUM

DESIGNED BY: SCOTT

DRAWN BY:
SCOTT

OPTIONS:

QUESTIONS?
sales@mcfaddenlighting.com



NOTES: APPROVED BY: