

**QUOTE #:**

Q1384

**FIXTURE:**

MP0907-02-3608-FTL-0001

**LAMPING:**

(6) FT39W/2G11 UNV

**DIFFUSER:**

ACRYLIC SMOOTH WHITE

**DIAMETER:**

36 1/4"

**O.A. HT:**

T.B.D.

**BODY HT:**

8 3/4"

**EXTENSION:**

**FINISH:**

PAINTED STANDARD COLOR

**MATERIAL:**

ALUMINUM

**DESIGNED BY:** R.V.SHTEYN

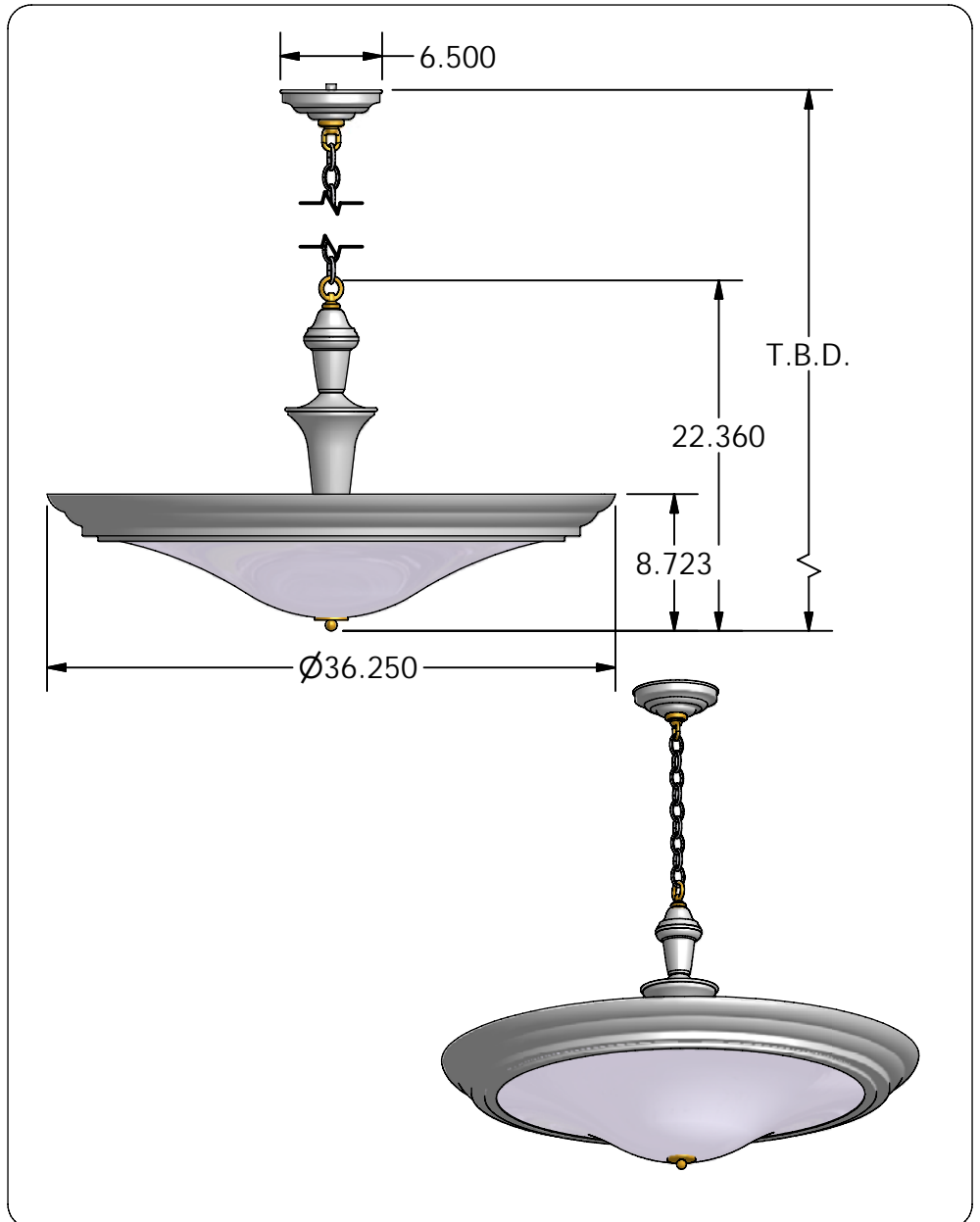
**DRAWN BY:**

R.V.SHTEYN

**OPTIONS:**

**QUESTIONS?**

sales@mcfaddenlighting.com



**NOTES:**