

**QUOTE #:**  
Q1338

**FIXTURE:**  
MP0907-03-2307-CFQ-0002

**LAMPING:**  
(4) CFQ26W/G24q-3 UNV

**DIFFUSER:**  
ACRYLIC SMOOTH WHITE

**DIAMETER:**  
23"

**O.A. HT:**  
T.B.D.

**BODY HT:**  
7 1/4"

**EXTENSION:**

**FINISH:**  
PAINTED STANDARD COLOR

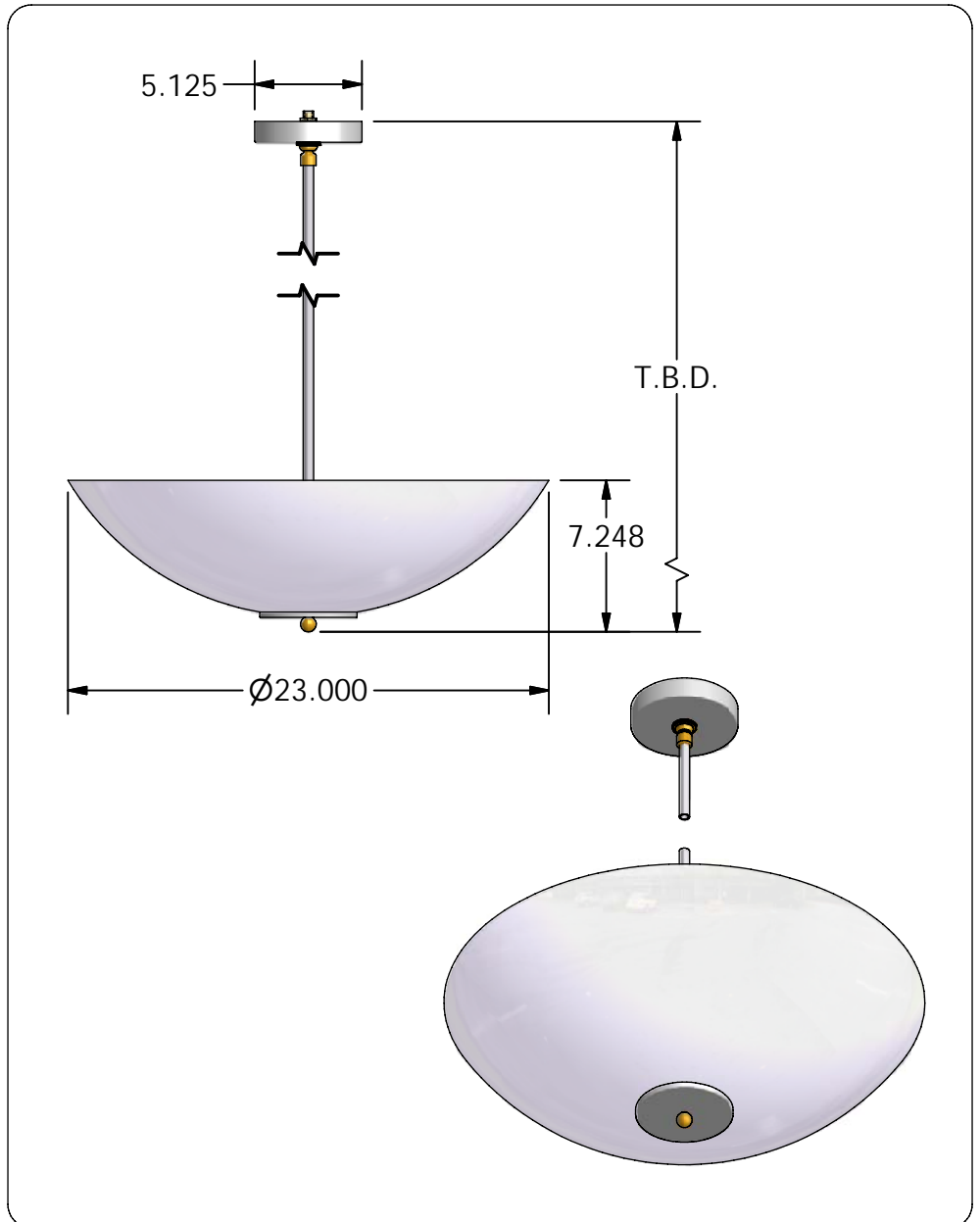
**MATERIAL:**  
ALUMINUM

**DESIGNED BY:** R.V.SHTEYN

**DRAWN BY:**  
R.V.SHTEYN

**OPTIONS:**

QUESTIONS?  
sales@mcfaddenlighting.com



**NOTES:**