

QUOTE #:
Q1670

FIXTURE:
MP0907-03-2607-INM-0001 Q1670

LAMPING:
(4) 150W A21 MED BASE

DIFFUSER:
ACRYLIC SMOOTH WHITE

DIAMETER:
26.00"

O.A. HT:
30.00"

BODY HT:
7.00"

EXTENSION:

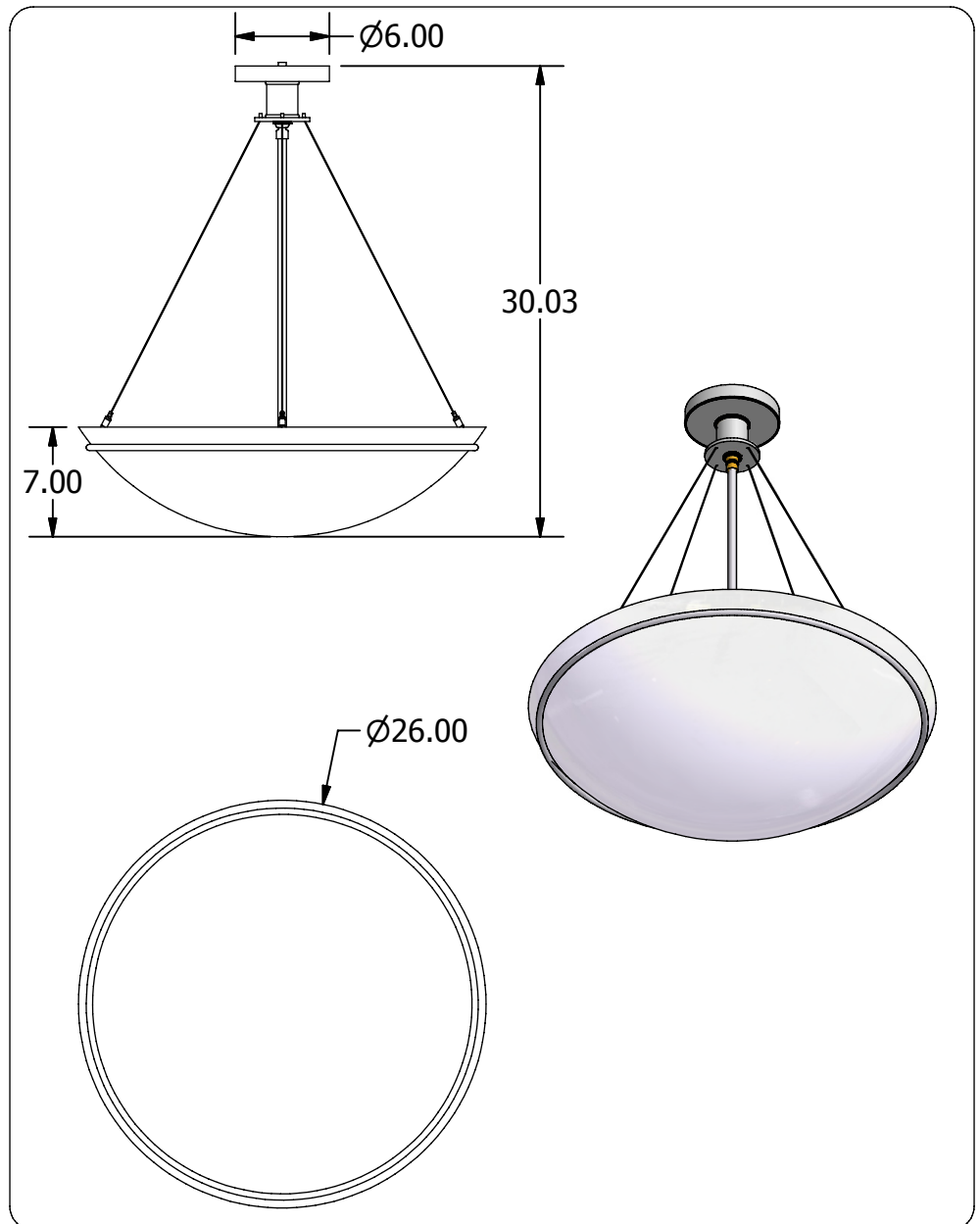
FINISH:
RING POLISHED CHROME, HANGER
SATIN NICKEL
MATERIAL:
ALUMINUM

DESIGNED BY: Roman

DRAWN BY:
SCOTT

OPTIONS:

QUESTIONS?
sales@mcfaddenlighting.com



NOTES: MP0907-03-2607-INM-0001