

QUOTE #:

Q1766

FIXTURE:

MP0907-03-3612-CFQ-0001 Q1766

LAMPING:

(6) CFQ26W/G24q-3

DIFFUSER:

ACRYLIC BEIGE ALABASTER

DIAMETER:

36.25"

O.A. HT:

T.B.D.

BODY HT:

13.00"

EXTENSION:

T.B.D.

FINISH:

PAINTED STANDARD COLOR

MATERIAL:

ALUMINUM

DESIGNED BY: SCOTT

DRAWN BY:

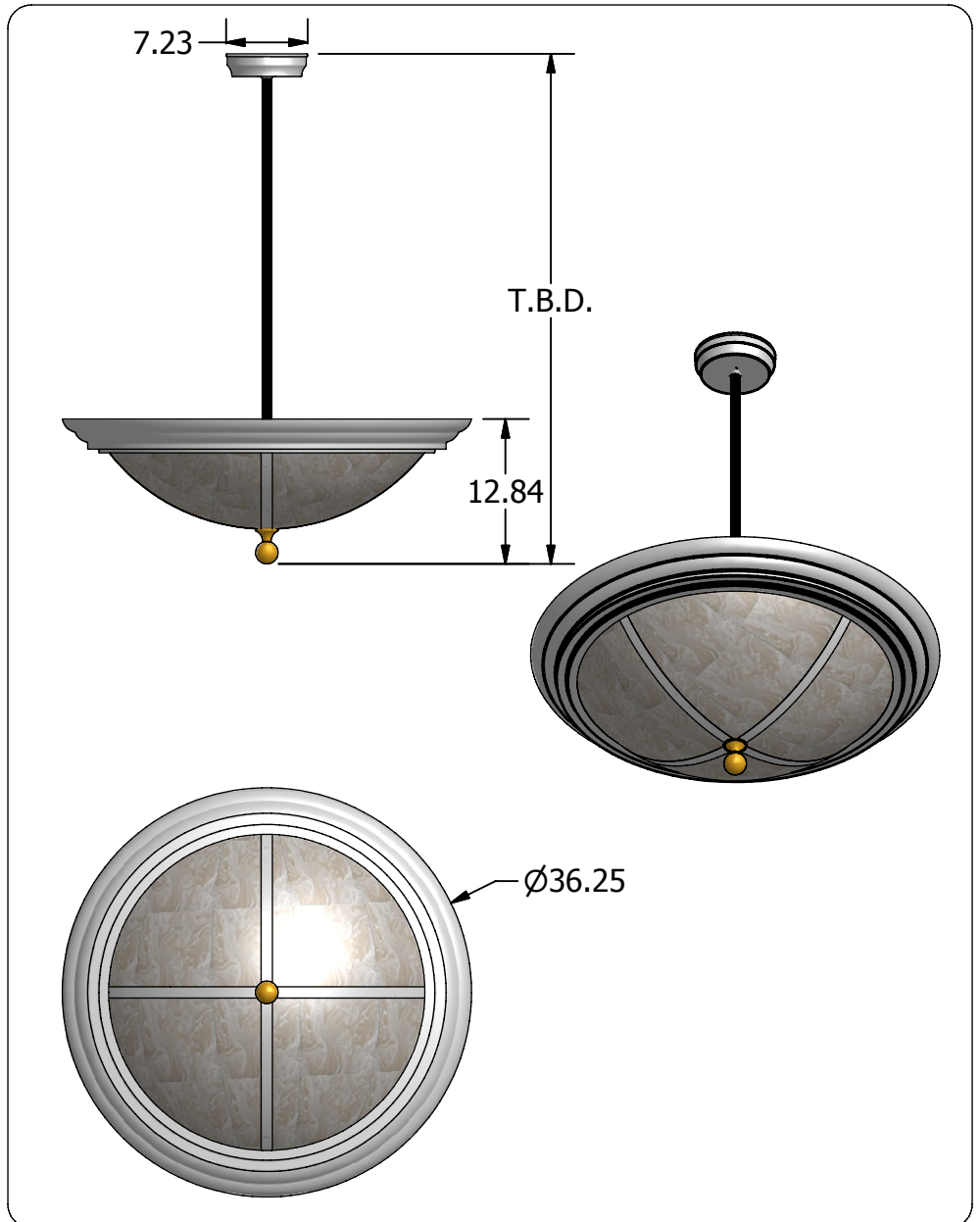
SCOTT

OPTIONS:

DIMMING **PLEASE SPECIFY DIMMING SYSTEM AND VOLTAGE** FLUTED STEM

QUESTIONS?

sales@mcfaddenlighting.com



NOTES: APPROVED BY: