

**QUOTE #:**  
Q1285

**FIXTURE:**  
MP0907-03-3615-CFT--0001

**LAMPING:**  
(4) CFTR42W/GX24q-4 120V  
(1) PAR-38 150W. DOWN

**DIFFUSER:**  
ACRYLIC SMOOTH WHITE

**DIAMETER:**  
36"

**O.A. HT:**  
T.B.D.

**BODY HT:**  
14 1/2"

**EXTENSION:**

**FINISH:**  
PAINTED STANDARD COLOR

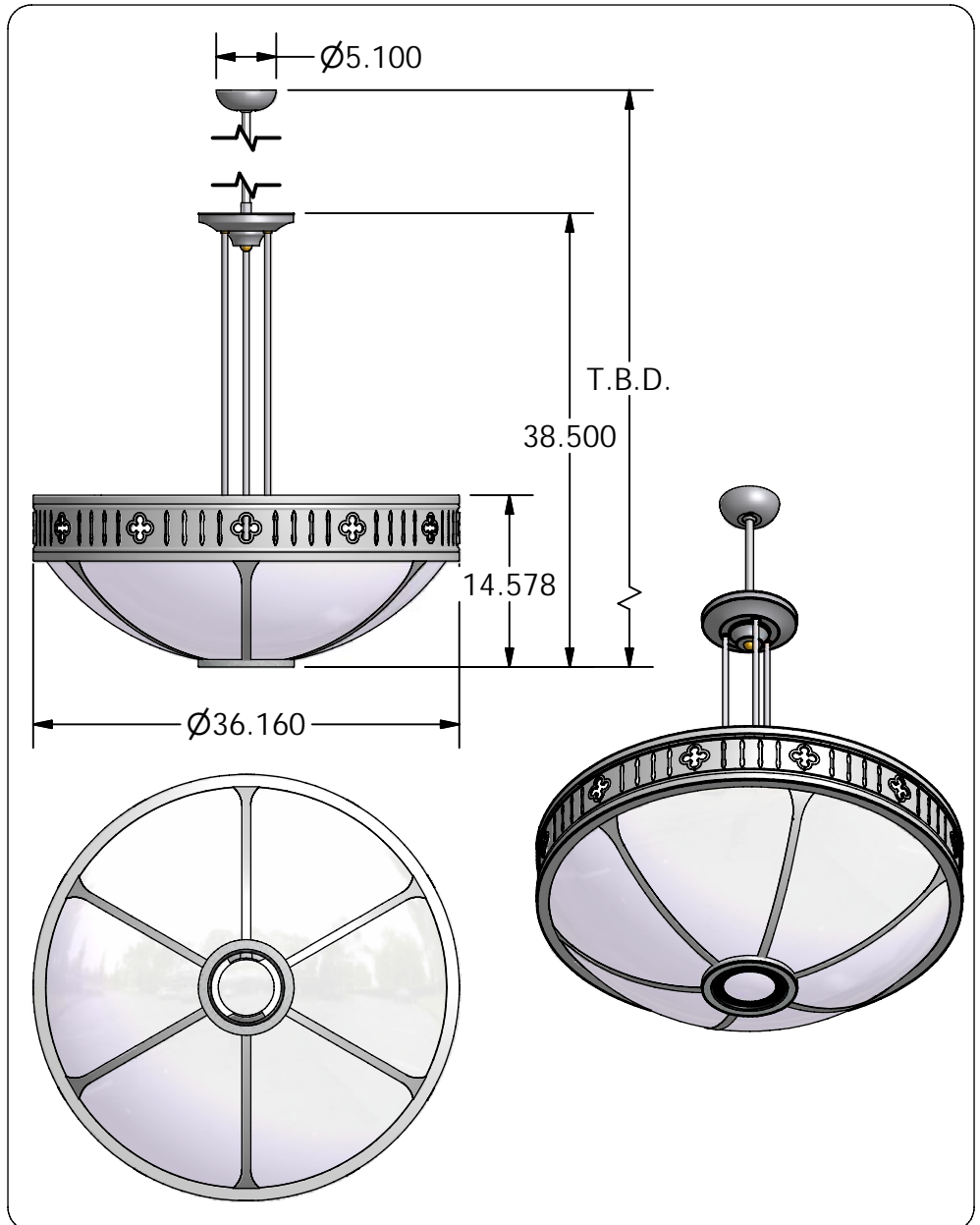
**MATERIAL:**  
ALUMINUM

**DESIGNED BY:** R.V.SHTEYN

**DRAWN BY:**  
R.V.SHTEYN

**OPTIONS:**

QUESTIONS?  
sales@mcfaddenlighting.com



**NOTES:**