

QUOTE #:

Q1290

FIXTURE:

MP0908-03-1806-CFQ-0001

LAMPING:

(2) CFQ26W/G12q-3 UNV

DIFFUSER:

ACRYLIC SANDBLASTED WHITE

DIAMETER:

19"

O.A. HT:

T.B.D.

BODY HT:

5 1/2"

EXTENSION:

FINISH:

P.T.B. OR F.D.B.

MATERIAL:

ALUMINUM

DESIGNED BY: R.V.SHTEYN

DRAWN BY:

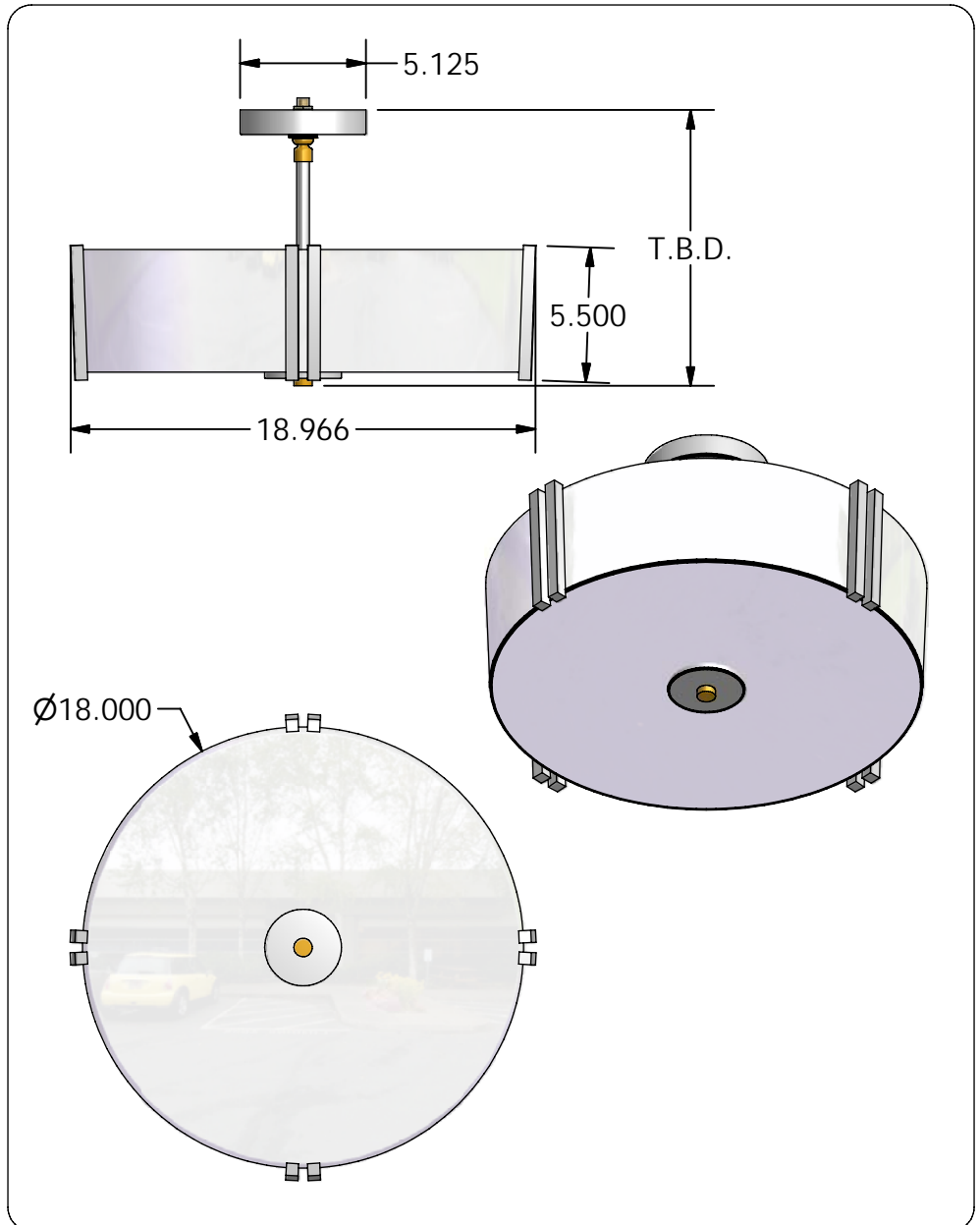
R.V.SHTEYN

OPTIONS:

ESTIMATED FIXTURE WEIGHT 25 LBS.
 FIXTURE MOUNTS DIRECTLY TO 4"
 OCTAGON J-BOX BY OTHERS

QUESTIONS?

sales@mcfaddenlighting.com



APPROVED BY