

QUOTE #:
Q1108

FIXTURE:
MP0909-02-1746-INM-0001 Q1108

LAMPING:
(5) A19 100W MED. BASE
(1) PS35 500W MOG. BASE

DIFFUSER:
ACRYLIC SMOOTH WHITE

DIAMETER:
16"

O.A. HT:
T.B.D.

BODY HT:
46"

EXTENSION:

FINISH:
PAINTED STANDARD COLOR

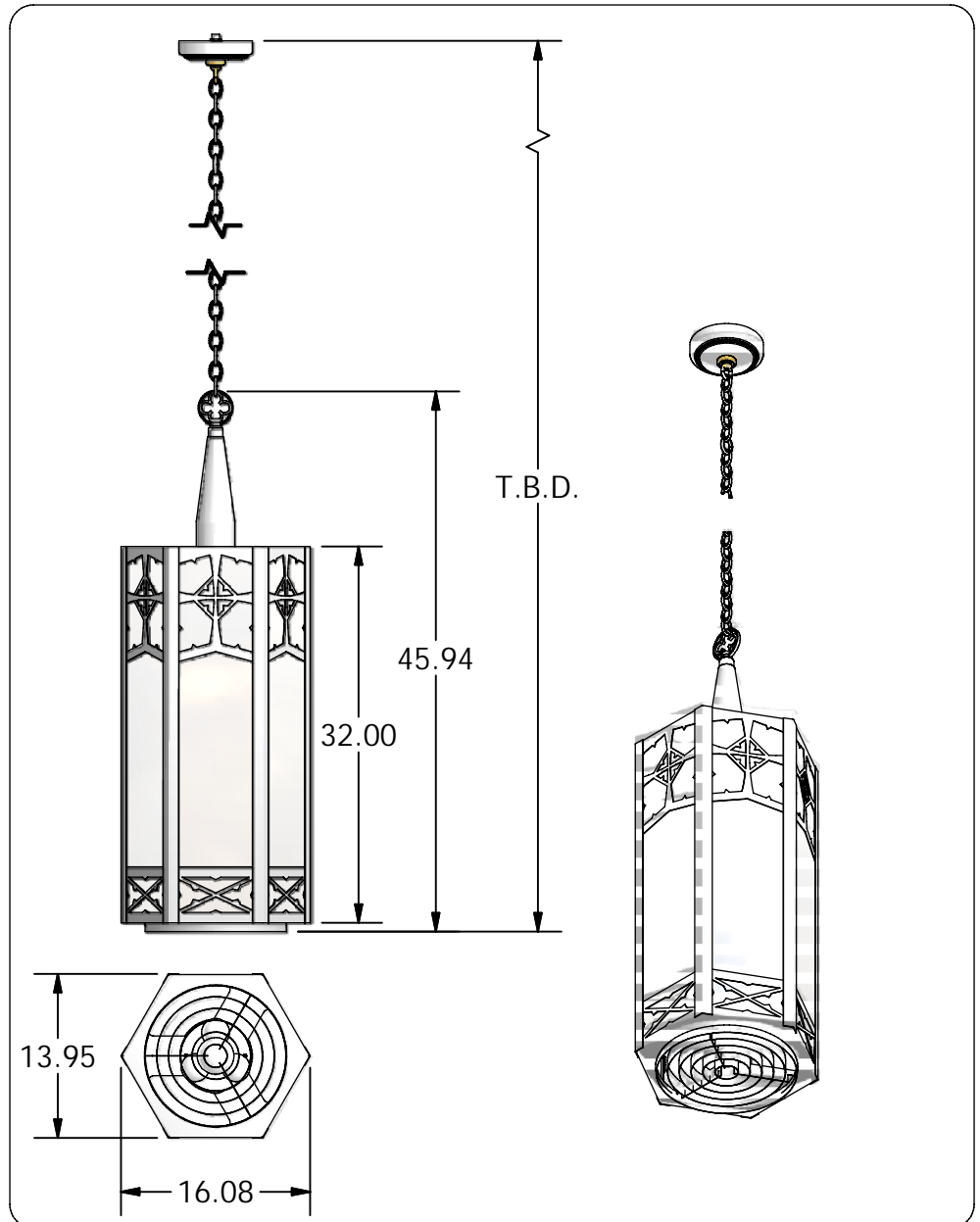
MATERIAL:

DESIGNED BY: R.V. SHTEYN

DRAWN BY:
R.V. SHTEYN

OPTIONS:

QUESTIONS?
sales@mcfaddenlighting.com



NOTES: