

**QUOTE #:**

Q1248

**FIXTURE:**

MP0911-02-1436-FTL-0001

**LAMPING:**

(4) FT39W/2G11 UNV

**DIFFUSER:**

ACRYLIC SMOOTH WHITE

**DIAMETER:**

14"

**O.A. HT:**

T.B.D.

**BODY HT:**

36"

**EXTENSION:**

**FINISH:**

PAINTED STANDARD COLOR

**MATERIAL:**

18 GA ST, 1/4" ALUMINUM

**DESIGNED BY:** R.V.SHTEYN

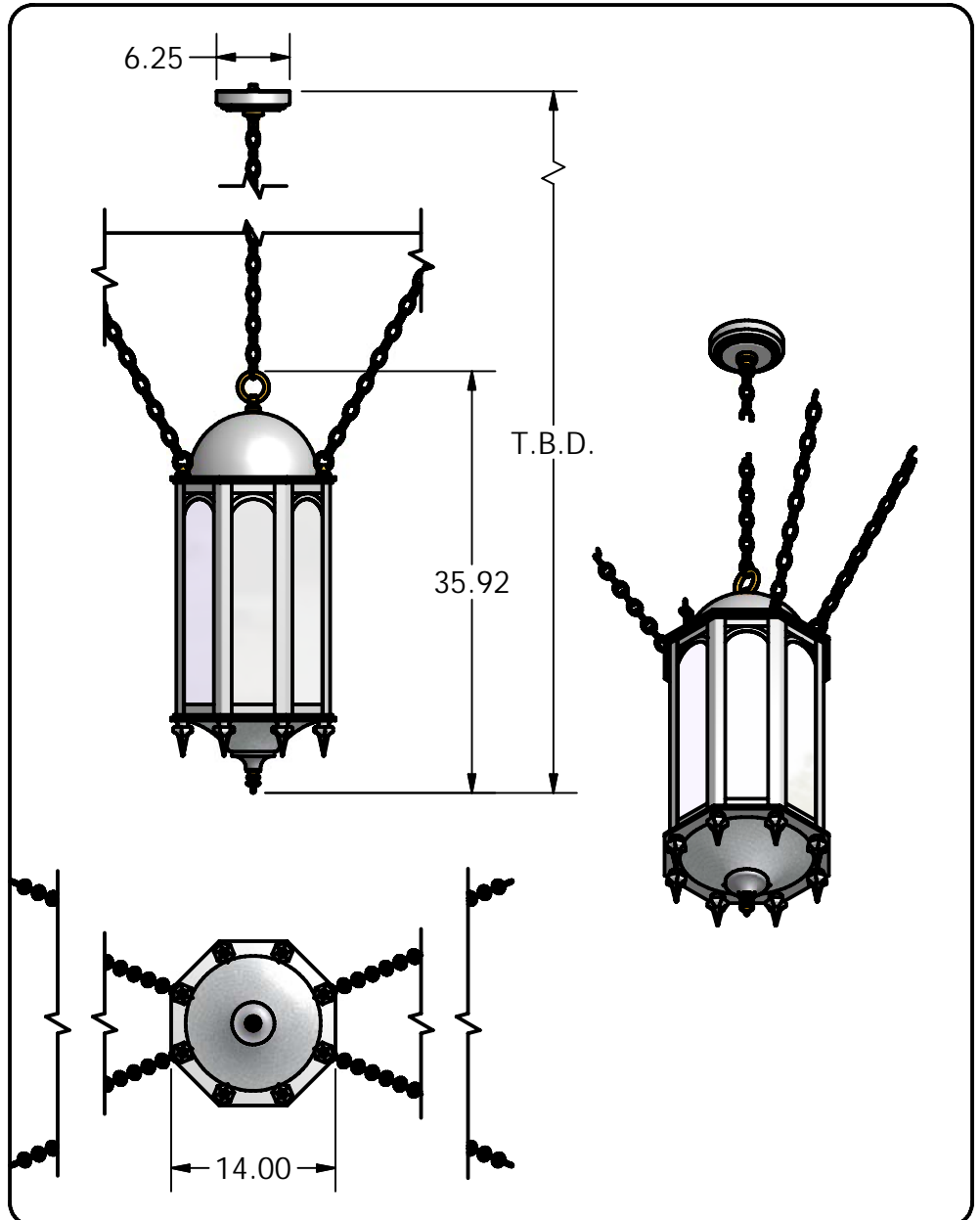
**DRAWN BY:**

R.V.SHTEYN

**OPTIONS:**

**QUESTIONS?**

sales@mcfaddenlighting.com



**NOTES:**