

**QUOTE #:**  
Q1421

**FIXTURE:**  
MP0911-03-6011-FTL-0001

**LAMPING:**  
(8) FT50W/2G11 UNV

**DIFFUSER:**  
GLASS SEMI-TRANSPARENT,  
SANDBLASTED, WITH SAFETY FILM

**DIAMETER:**  
72"

**O.A. HT:**  
89 1/2"

**BODY HT:**  
21"

**EXTENSION:**

**FINISH:**  
PAINTED COPPER COLOR

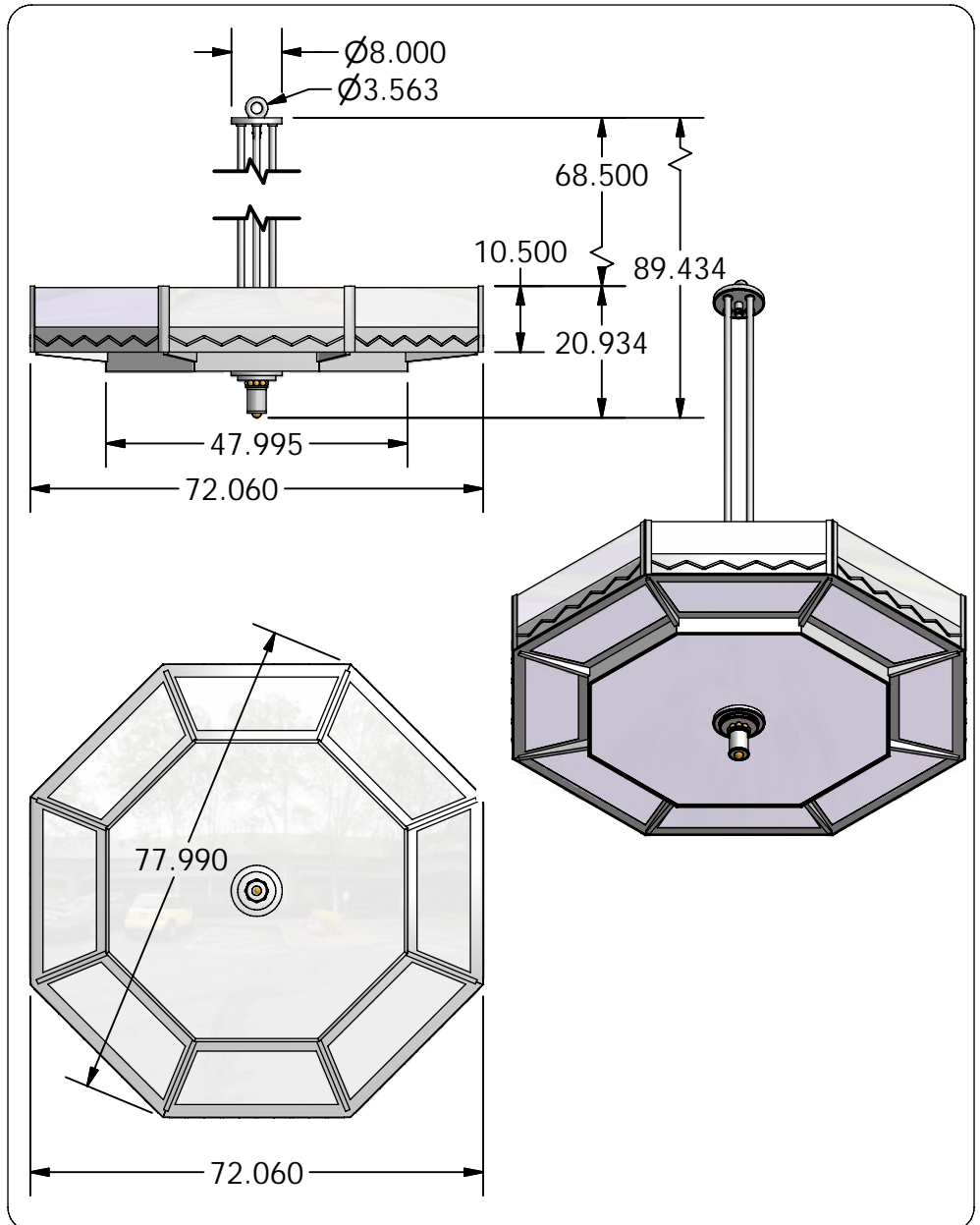
**MATERIAL:**  
ALUMINUM, STEEL

**DESIGNED BY:** R.V.SHTEYN

**DRAWN BY:**  
R.V.SHTEYN

**OPTIONS:**

QUESTIONS?  
sales@mcfaddenlighting.com



**NOTES:**