

QUOTE #:

Q1655

FIXTURE:

MP0912-04-3104-FTL-0001

LAMPING:

(4) FT36W/2G11 UNV

DIFFUSER:

ACRYLIC SMOOTH WHITE

DIAMETER:

31-1/2"

O.A. HT:

T.B.D.

BODY HT:

4"

EXTENSION:

FINISH:

PAINTED STANDARD COLOR

MATERIAL:

ALUMINUM

DESIGNED BY: R.V.SHTEYN

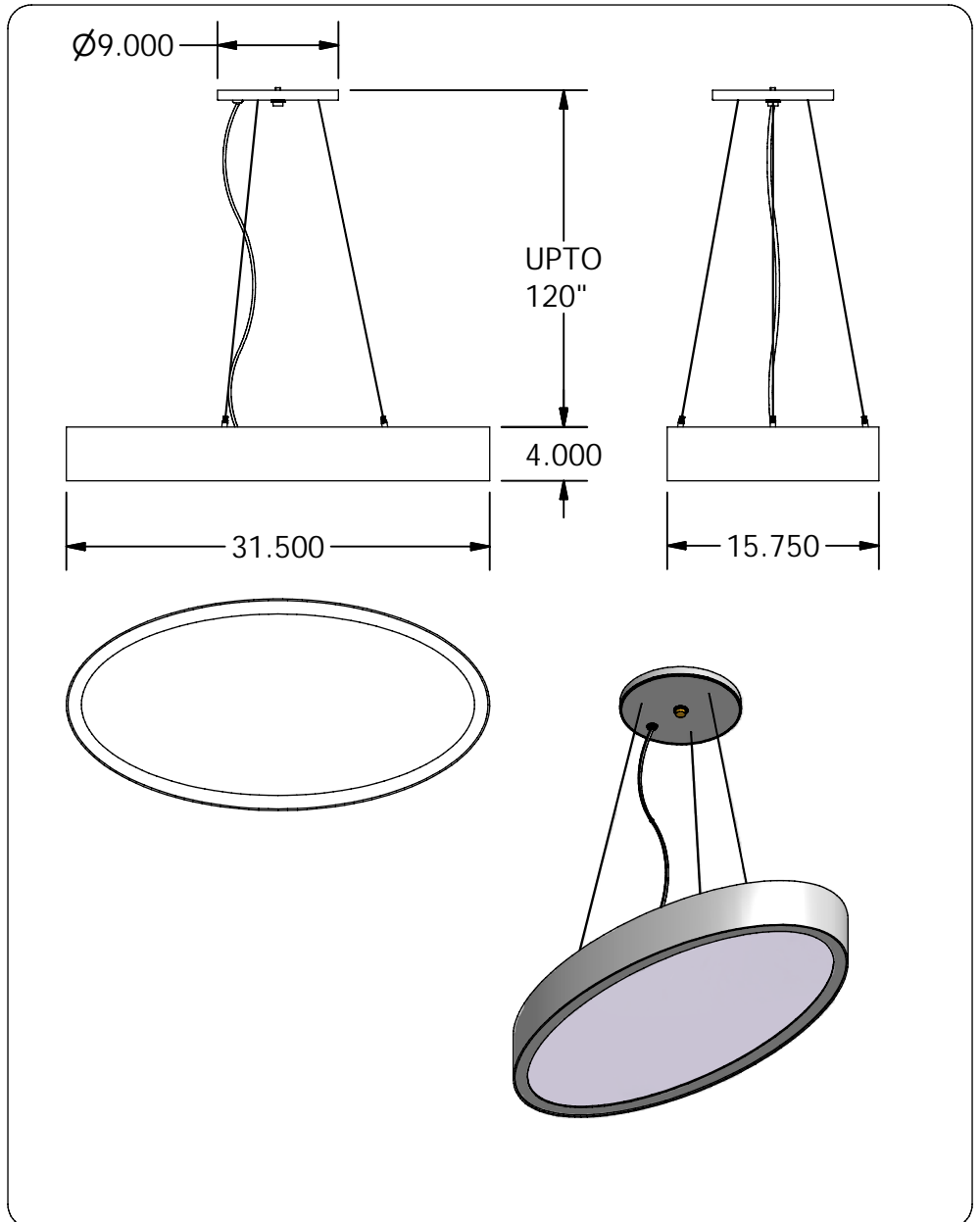
DRAWN BY:

R.V.SHTEYN

OPTIONS:

QUESTIONS?

sales@mcfaddenlighting.com



NOTES: