

QUOTE #:
Q1806

FIXTURE:
MP0915-03-1023-FTL-0001 Q1806

LAMPING:
(2) FT39W/2G11

DIFFUSER:
ACRYLIC SMOOTH WHITE

DIAMETER:
9.31"

O.A. HT:
T.B.D.

BODY HT:
22.25"

EXTENSION:
T.B.D.

FINISH:
PAINTED STANDARD FINISHES

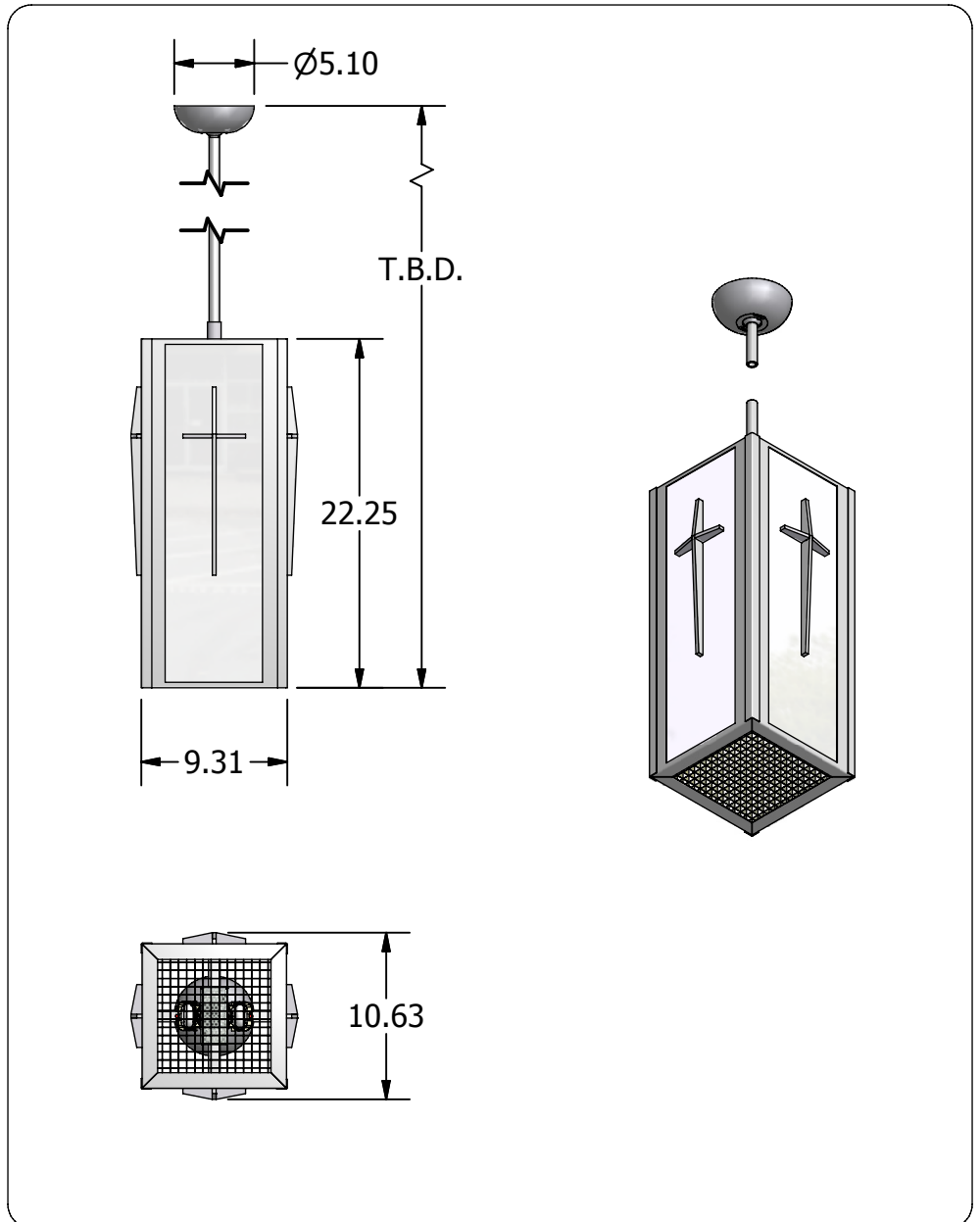
MATERIAL:
ALUMINUM/STEEL

DESIGNED BY: R.V.SHTEYN

DRAWN BY:
SCOTT

OPTIONS:

QUESTIONS?
sales@mcfaddenlighting.com



NOTES: APPROVED BY: