

QUOTE #:
Q1109

FIXTURE:
MP0916-03-3616-CFT-0001

LAMPING:
(4) CFTR32W/GX2q-3 UNV

DIFFUSER:
ACRYLIC SMOOTH WHITE

DIAMETER:
35 3/4"

O.A. HT:
40"

BODY HT:
15 1/2"

EXTENSION:
12"

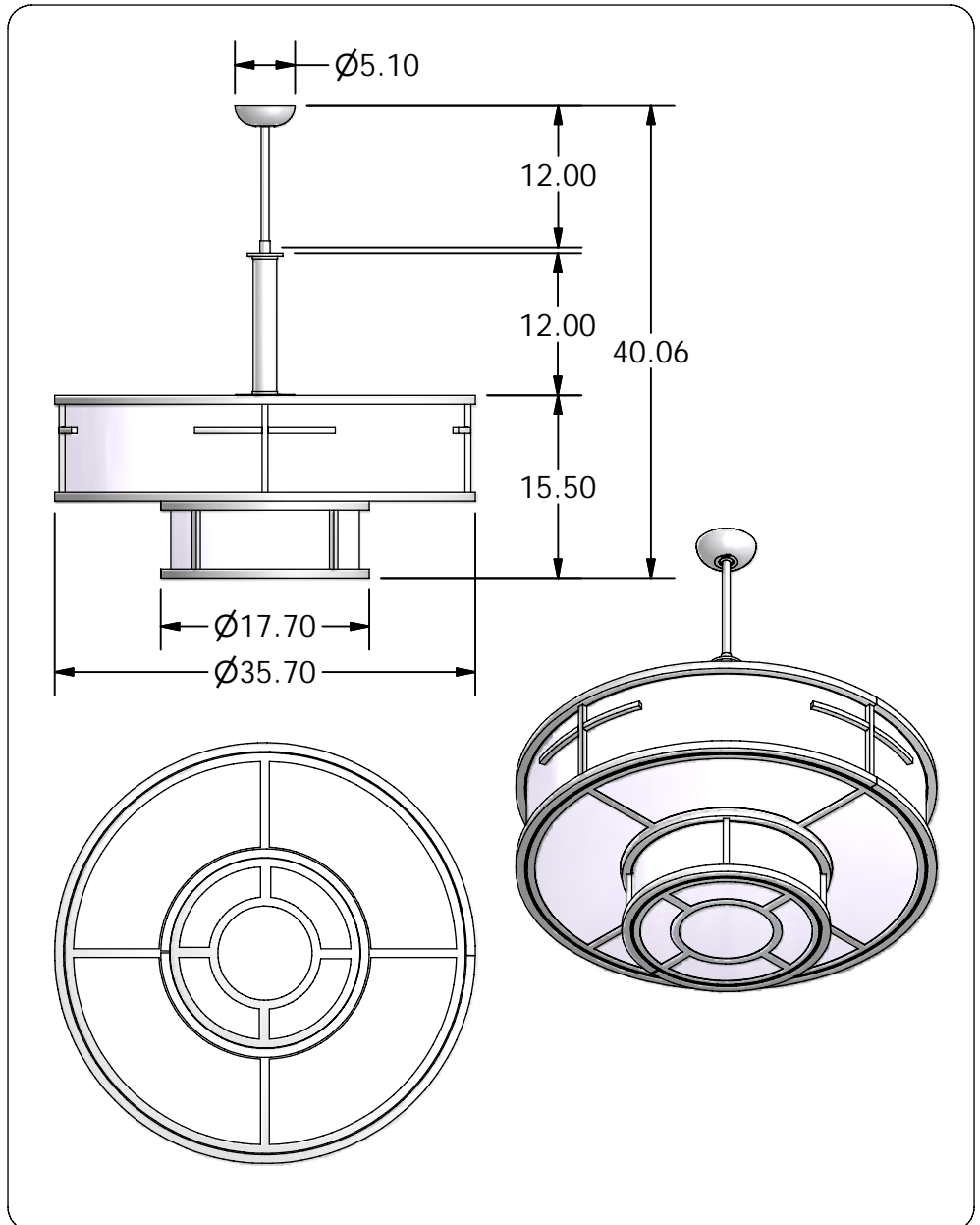
FINISH:
POLISHED CHROME

MATERIAL:
ALUMINUM

DESIGNED BY: R.V. SHTEYN

DRAWN BY:
R.V. SHTEYN

OPTIONS:



QUESTIONS?
sales@mcfaddenlighting.com

NOTES: