

**QUOTE #:**  
Q1381

**FIXTURE:**  
MP1206-03-9426-CFQ-0002

**LAMPING:**  
(6) CFTR42W/GX24q-4 UP 120V  
(18) CFTR42W/GX24q-4 DOWN

**DIFFUSER:**

**DIAMETER:**  
92 3/4"

**O.A. HT:**  
T.B.D.

**BODY HT:**  
26 1/4"

**EXTENSION:**

**FINISH:**  
PAINTED STANDARD COLOR (PCB)

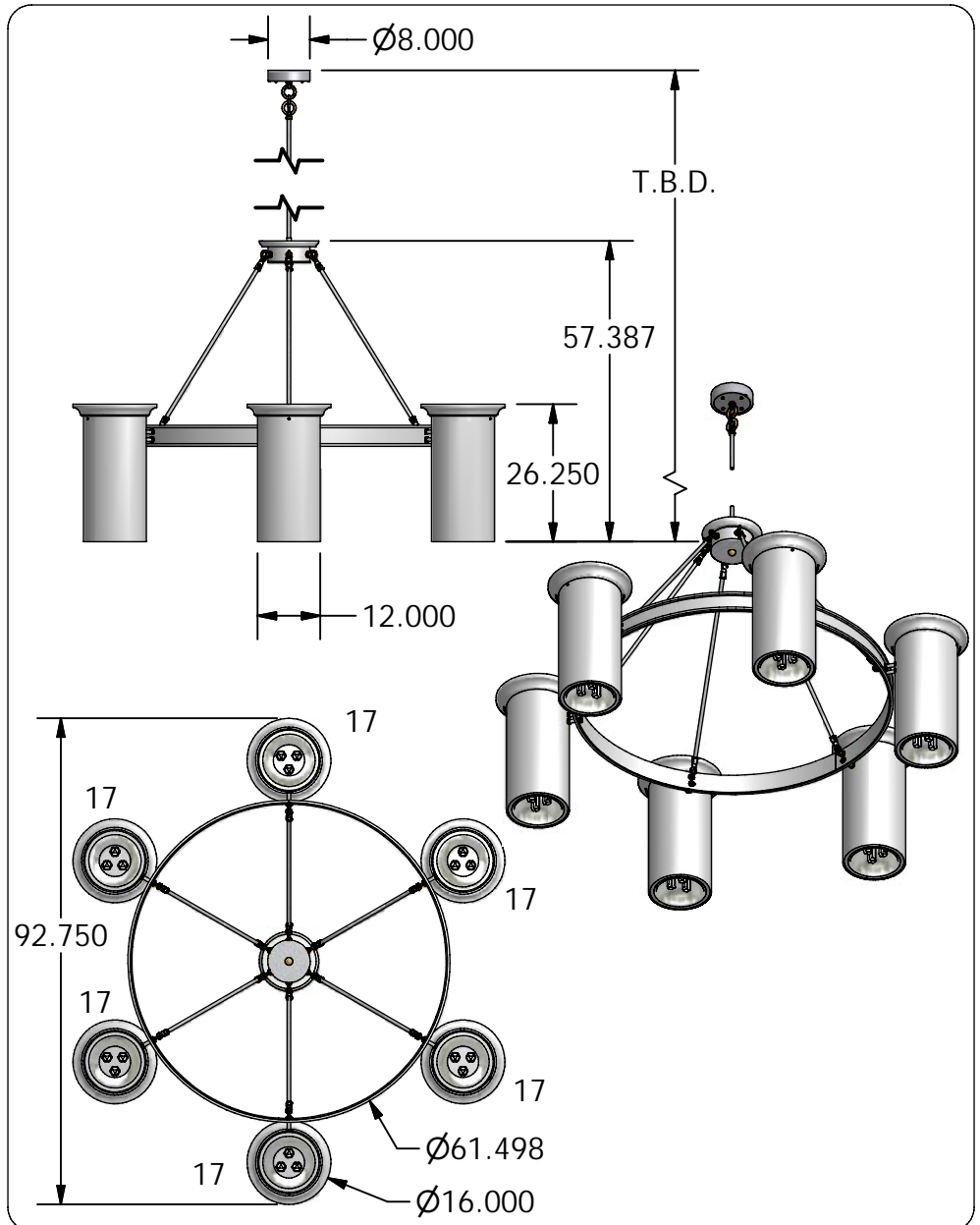
**MATERIAL:**  
ALUMINUM

**DESIGNED BY:** R.V.SHTEYN

**DRAWN BY:**  
SCOTT

**OPTIONS:**  
REMOVABLE CLEAR TOP LENS

QUESTIONS?  
sales@mcfaddenlighting.com



**NOTES:** CKT#1 (18) DOWN LIGHTS ARE POWERED BY ADVANCE MARK-10 DIMMING BALLAST. CKT#2 (6) UP LIGHTS NO DIMMING.