

**QUOTE #:**  
Q1218

**FIXTURE:**  
MP1511-00-4808-FTL-0001

**LAMPING:**  
(3) FT40W/2G11 120V  
LUTRON ECO-10 DIMMING BALLST

**DIFFUSER:**  
ACRYLIC SMOOTH WHITE

**DIAMETER:**  
51" (47" FLAT TO FLAT)

**O.A. HT:**  
9"

**BODY HT:**  
8"

**EXTENSION:**

**FINISH:**  
PAINTED BRASS

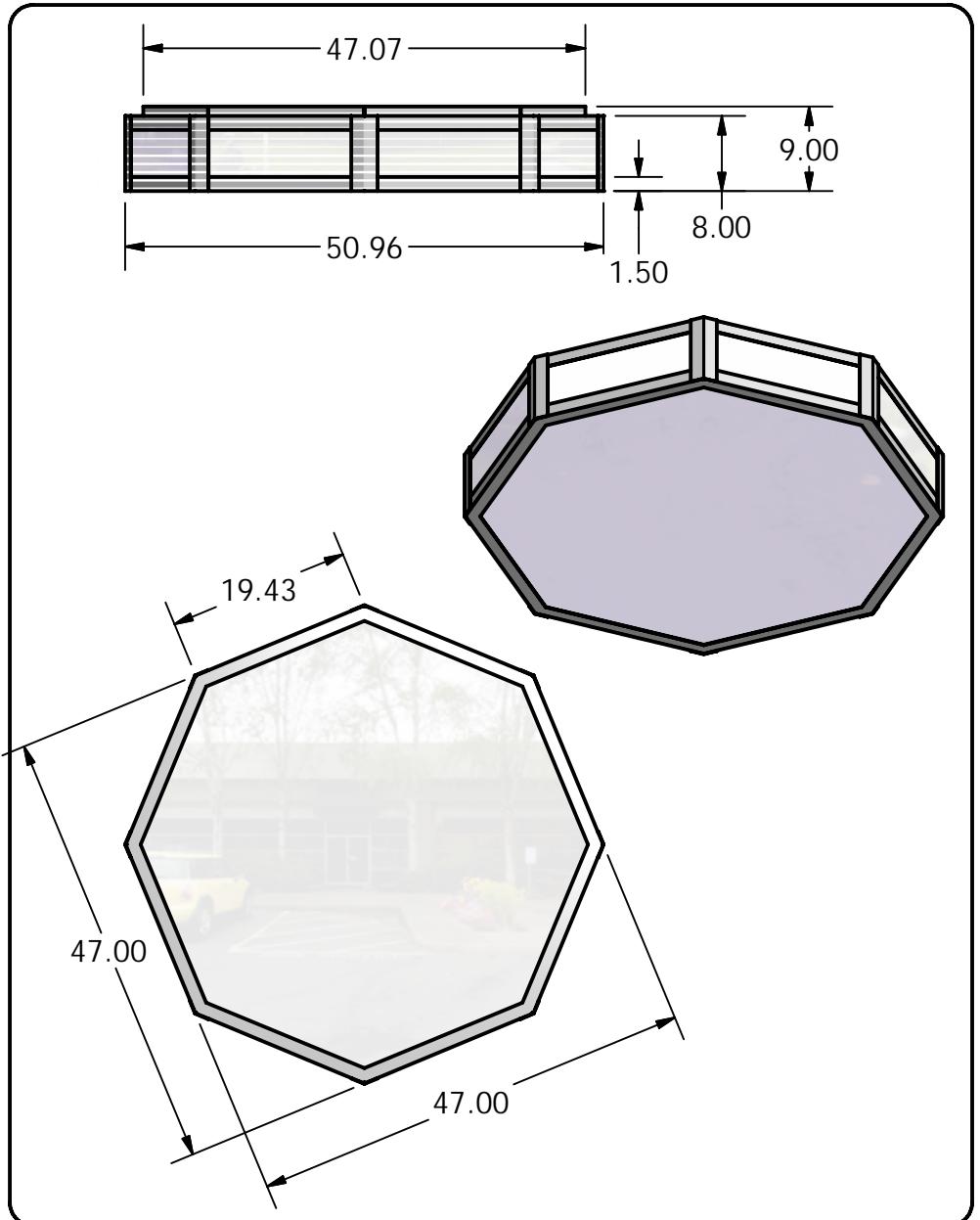
**MATERIAL:**  
18 GA STEEL

**DESIGNED BY:** R.V.SHTEYN

**DRAWN BY:**  
R.V.SHTEYN

**OPTIONS:**  
HINGED CAGE

QUESTIONS?  
sales@mcfaddenlighting.com



**NOTES:**