

**QUOTE #:**  
Q1783

**FIXTURE:**  
MP1806-01-0816-CFQ-0001 Q1783

**LAMPING:**  
(2) CFQ26W/G24q-3 UNV

**DIFFUSER:**  
ACRYLIC FAUX ALABASTER

**DIAMETER:**  
8.25"

**O.A. HT:**  
16.00"

**BODY HT:**

**EXTENSION:**  
4.00"

**FINISH:**  
T.B.D.

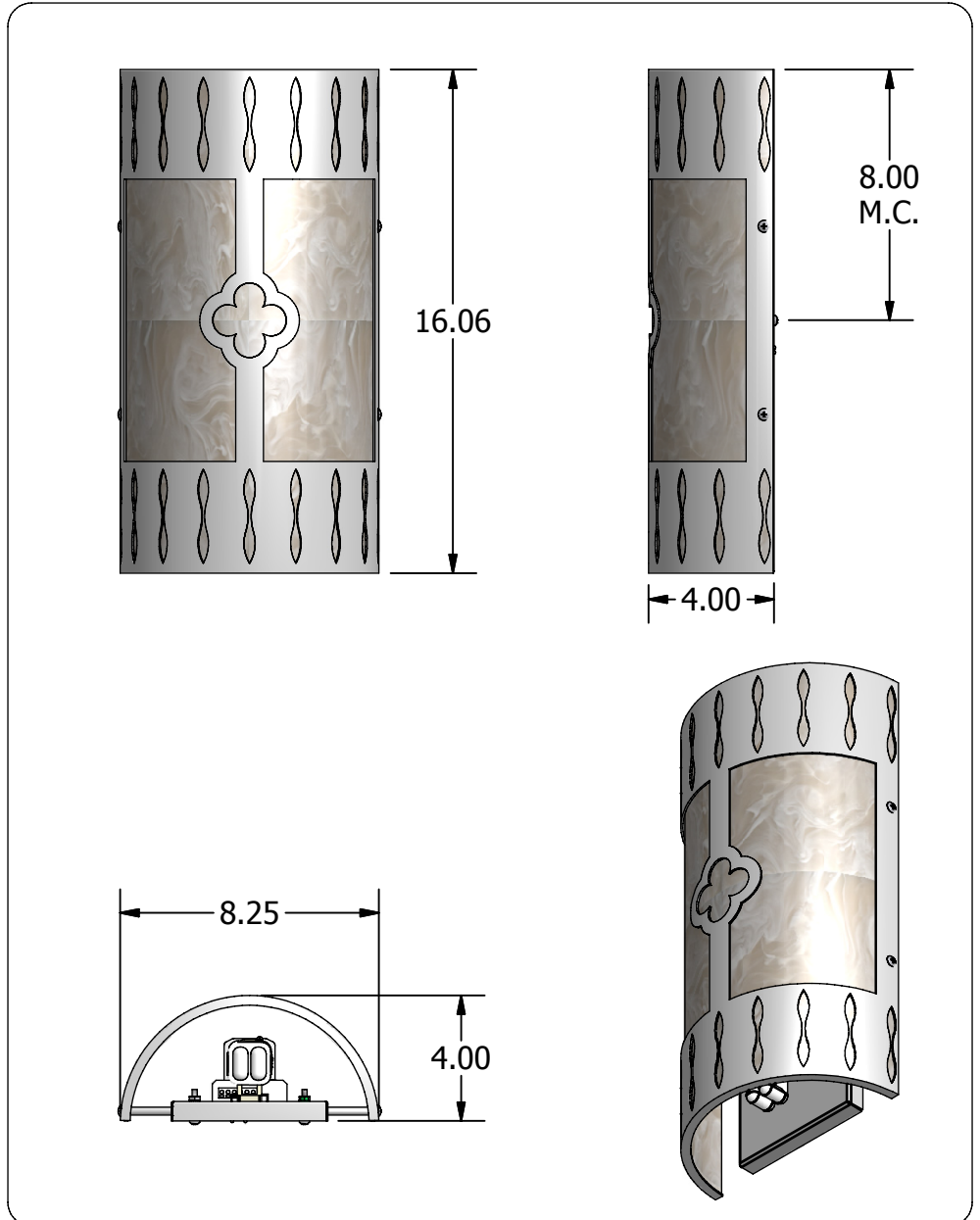
**MATERIAL:**  
ALUMINUM/STEEL

**DESIGNED BY:** SCOTT

**DRAWN BY:**  
SCOTT

**OPTIONS:**

QUESTIONS?  
sales@mcfaddenlighting.com



**NOTES:** APPROVED BY: