

QUOTE #:

FIXTURE:

MP1809-05-0814-INM-0001

LAMPING:

(1) A19 100W MED. BASE 120V

DIFFUSER:

ACRYLIC SMOOTH WHITE

DIAMETER:

8"

O.A. HT:

BODY HT:

14"

EXTENSION:

9 1/2"

FINISH:

PAINTED STANDARD COLOR

MATERIAL:

18 GA STEEL

DESIGNED BY: R.V.SHTEYN

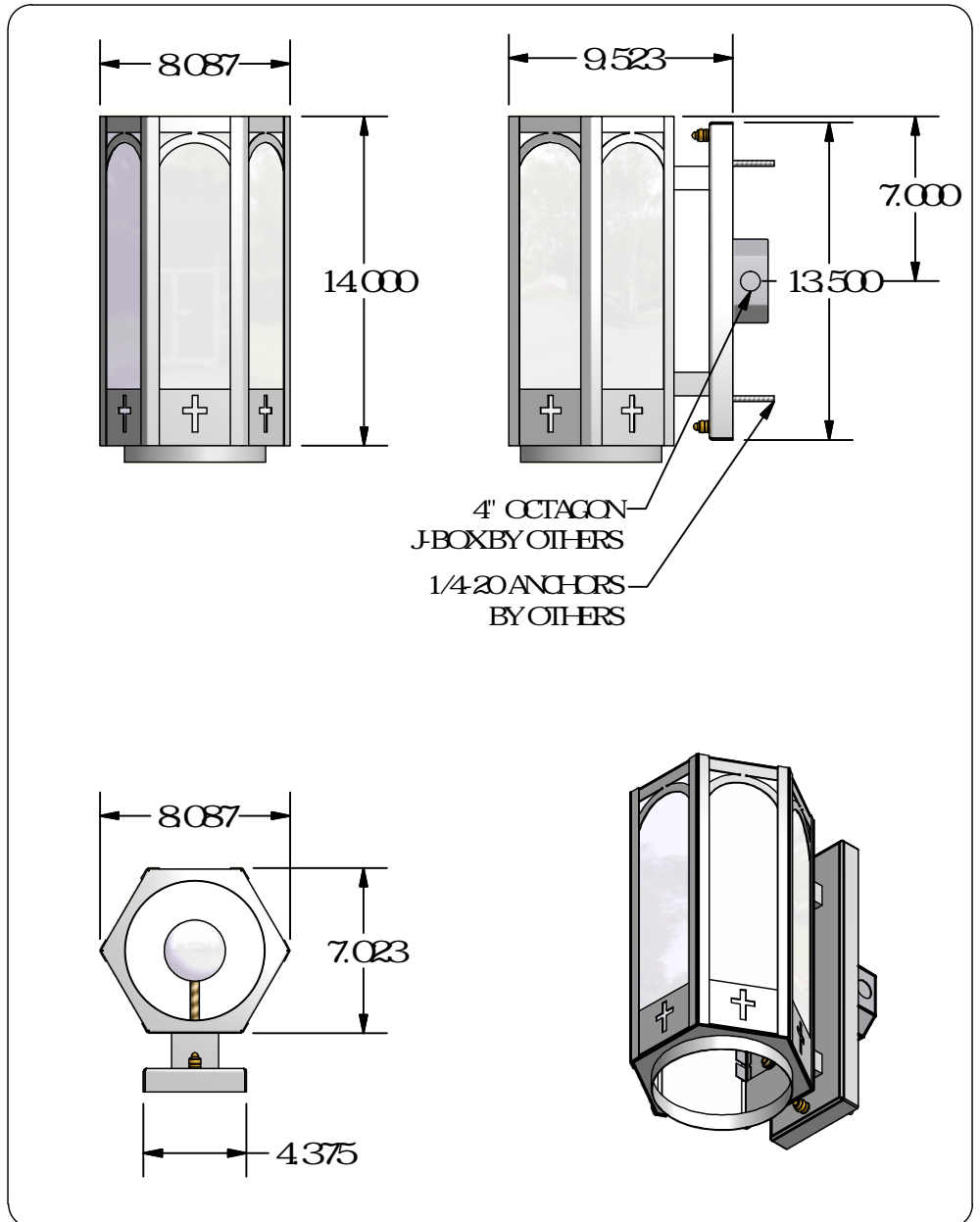
DRAWN BY:

R.V.SHTEYN

OPTIONS:

QUESTIONS?

sales@mcfaddenlighting.com



NOTES: