

**QUOTE #:**  
Q1675

**FIXTURE:**  
MP1809-05-1022-CFQ-DIM1

**LAMPING:**  
(2) CFQ-18W/G24q-2

**DIFFUSER:**  
ACRYLIC SMOOTH WHITE

**DIAMETER:**  
8"

**O.A. HT:**  
18"

**BODY HT:**

**EXTENSION:**  
4 1/4"

**FINISH:**  
STANDARD PAINT COLORS

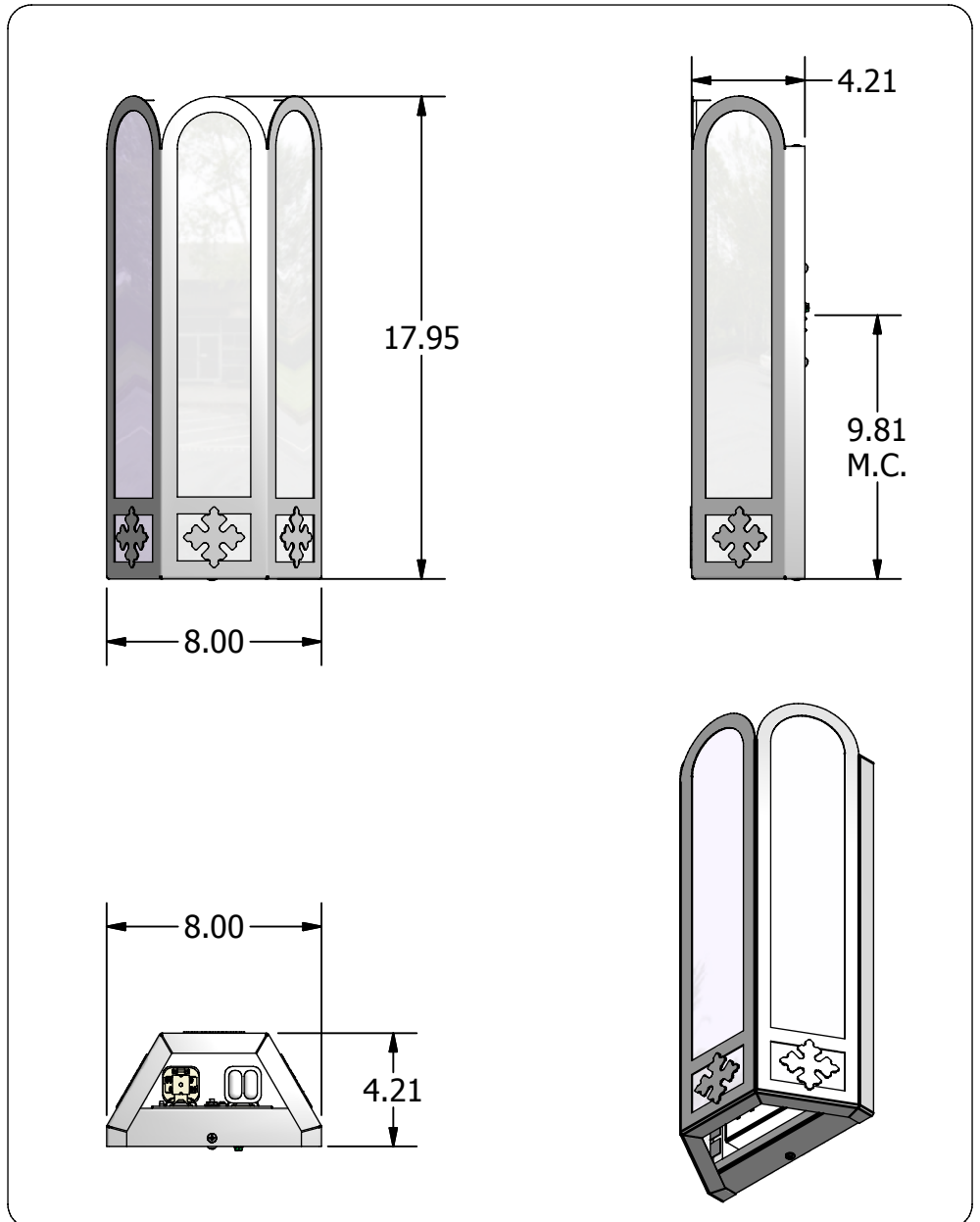
**MATERIAL:**  
STEEL

**DESIGNED BY:** SCOTT

**DRAWN BY:**  
SCOTT

**OPTIONS:**

QUESTIONS?  
sales@mcfaddenlighting.com



**NOTES:** FOR DIMMING FIXTURES PHILIPS ADVANCE MARK 7 OR MARK 10 ELECTRONIC DIMMING BALLAST WILL BE USED DEPENDING ON THE DIMMING SYSTEM BEING USED IN THE BUILDING