

QUOTE #:
Q1675

FIXTURE:
MP1809-05-1022-CFQ-0001 Q1675

LAMPING:
(2) CFTR 32W/GX24q-3

DIFFUSER:
ACRYLIC SMOOTH WHITE

DIAMETER:
10"

O.A. HT:
22"

BODY HT:

EXTENSION:
5 1/8"

FINISH:
STANDARD PAINT COLORS

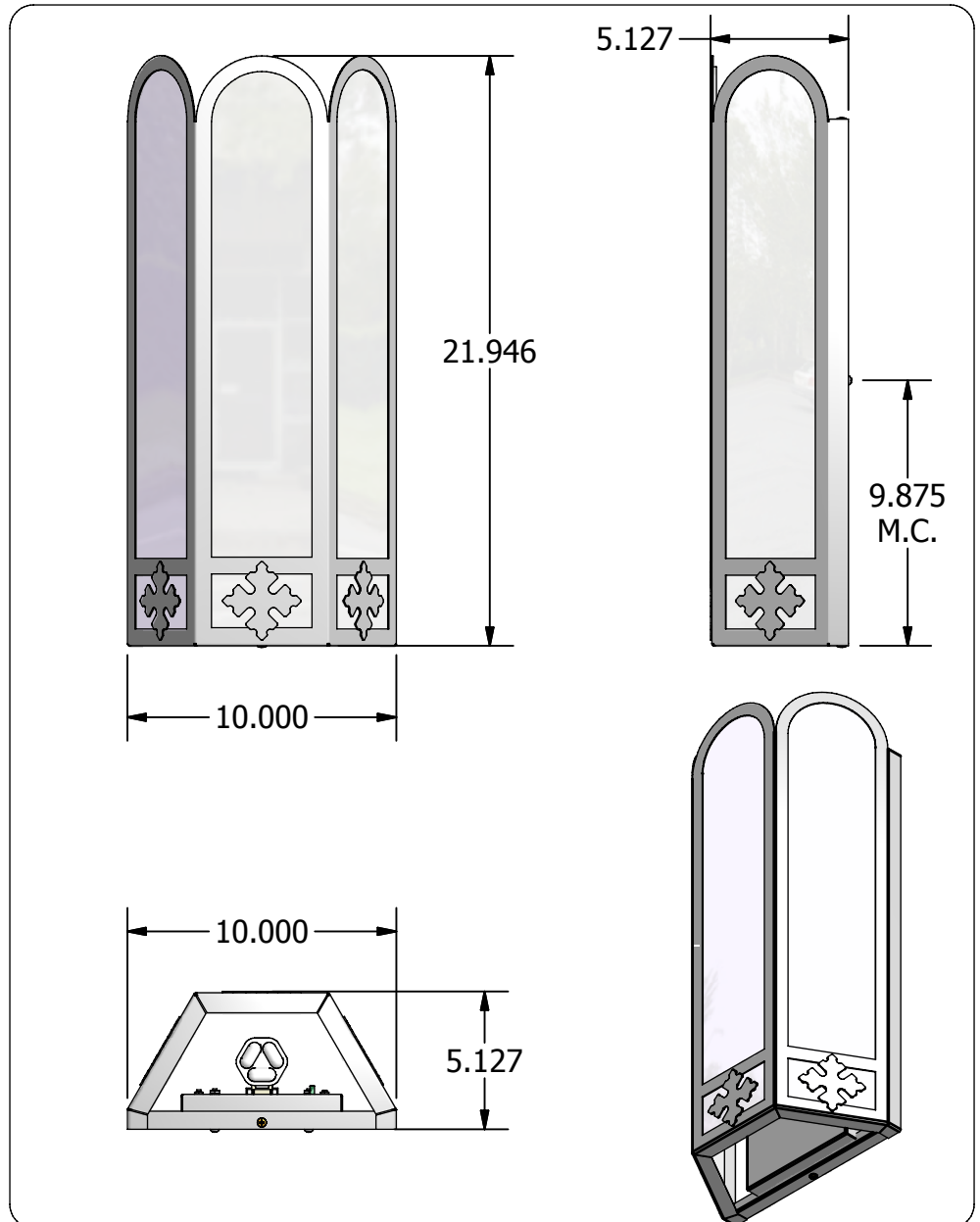
MATERIAL:
STEEL

DESIGNED BY: R.V.SHTEYN

DRAWN BY:
SCOTT

OPTIONS:

QUESTIONS?
sales@mcfaddenlighting.com



NOTES: FOR DIMMING FIXTURES PHILIPS ADVANCE MARK 7 OR MARK 10 ELECTRONIC DIMMING BALLAST WILL BE USED DEPENDING ON THE DIMMING SYSTEM BEING USED IN THE BUILDING