

**QUOTE #:**  
Q1108

**FIXTURE:**  
MP1906-05-0926-FTL-0002

**LAMPING:**  
(2) CFQ26W/G24q-3 UNV  
(1) MR16 50W 120V DOWN LIGHT

**DIFFUSER:**  
ACRYLIC SMOOTH WHITE

**DIAMETER:**  
8 3/4"

**O.A. HT:**  
20"

**BODY HT:**

**EXTENSION:**  
10 3/8"

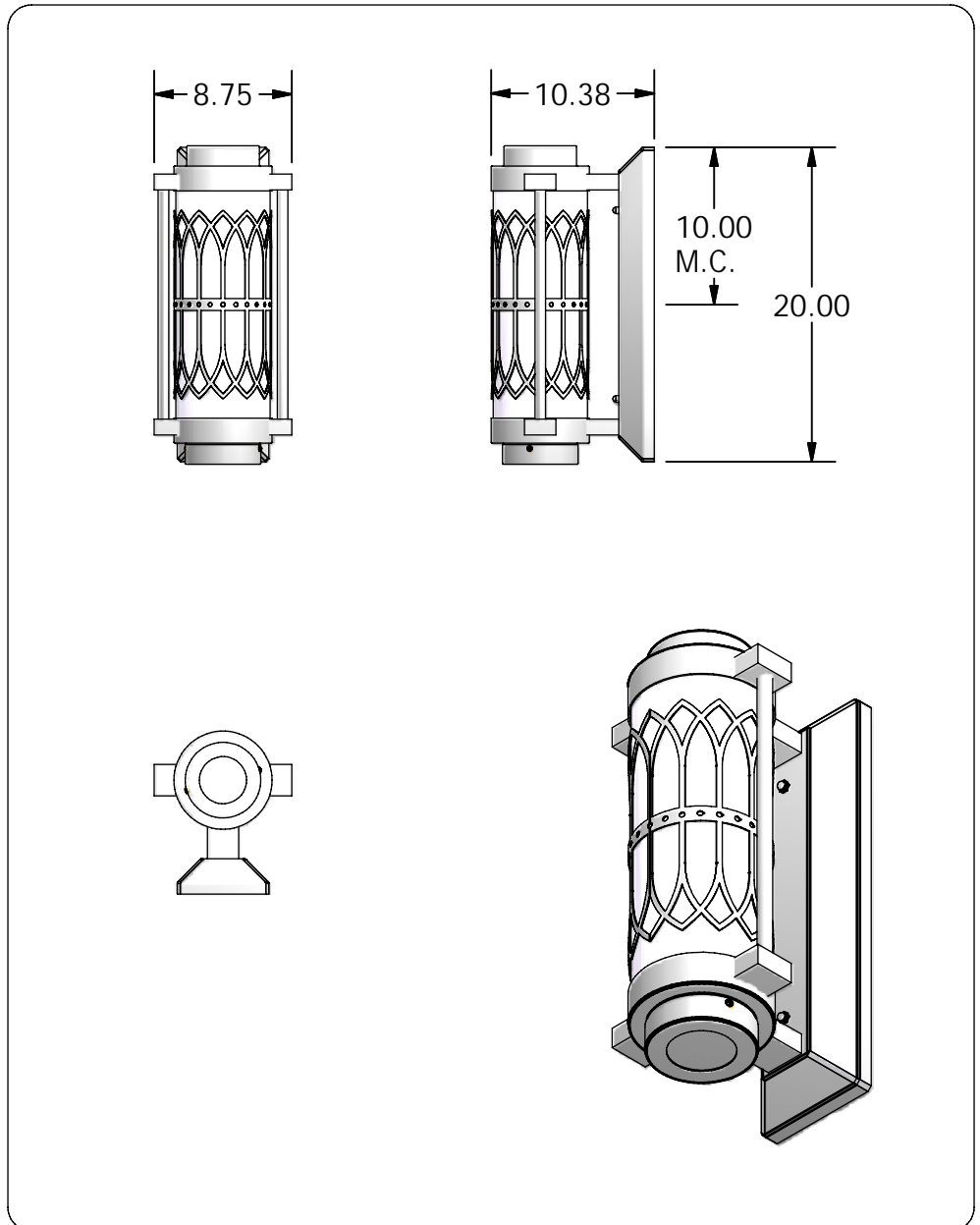
**FINISH:**  
PAINTED STANDARD COLOR

**MATERIAL:**  
ALUMINUM

**DESIGNED BY:** R.V. SHTEYN

**DRAWN BY:**  
R.V. SHTEYN

**OPTIONS:**



QUESTIONS?  
[sales@mcfaddenlighting.com](mailto:sales@mcfaddenlighting.com)

**NOTES:**