

QUOTE #:
Q1609

FIXTURE:
MP1906-05-0825-FTL-0001 Q1609

LAMPING:
(2) FT39W/2G11 UNV

DIFFUSER:
ACRYLIC SMOOTH WHITE

DIAMETER:
8"

O.A. HT:
25 3/8"

BODY HT:

EXTENSION:
12 1/4"

FINISH:
PAINTED FINISH

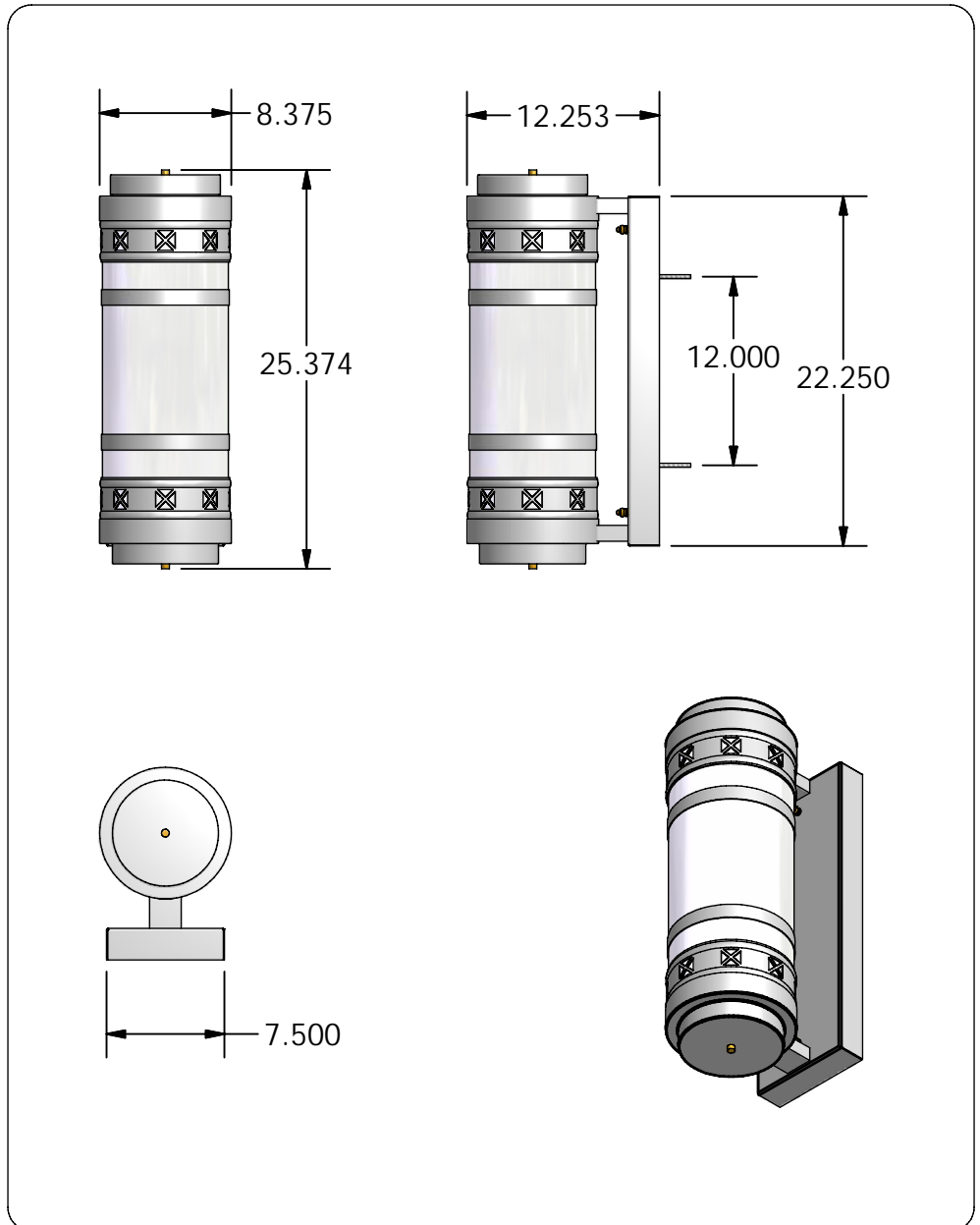
MATERIAL:
ALUMINUM

DESIGNED BY: R.V.SHTEYN

DRAWN BY:
R.V.SHTEYN

OPTIONS:
INTEGRAL EMERGENCY BALLAST (IN
SIDE BACK PLATE) IS AVAILABLE PER
REQUEST

QUESTIONS?
sales@mcfaddenlighting.com



NOTES: