

QUOTE #:
Q1425

FIXTURE:
MP1909-05-0820-CFQ-0001

LAMPING:
(2) CFQ26W/G24q-3 UNV

DIFFUSER:
ACRYLIC SMOOTH WHITE

DIAMETER:
8 1/4"

O.A. HT:
20 1/2"

BODY HT:

EXTENSION:
10 1/2"

FINISH:
PAINTED STANDARD COLOR

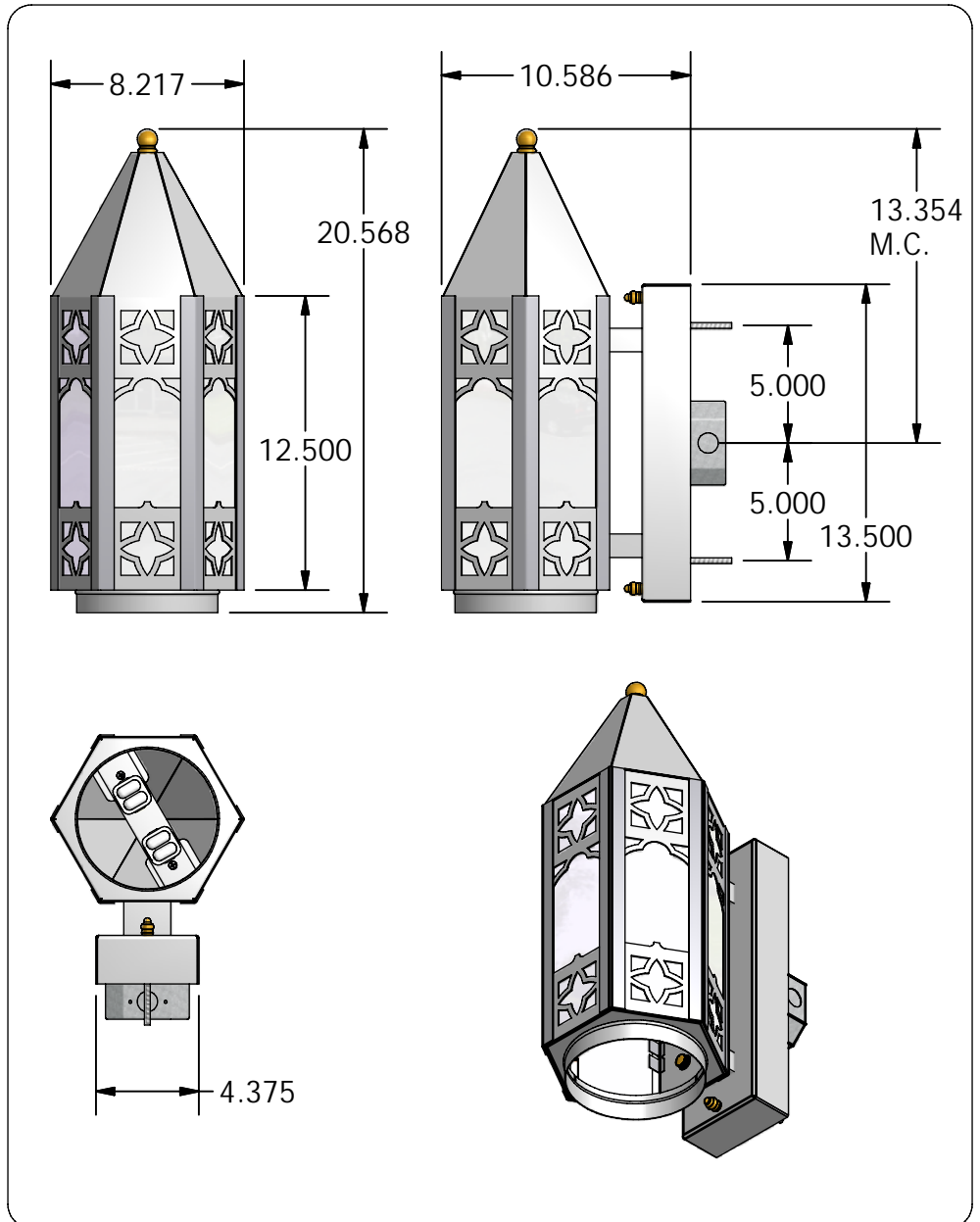
MATERIAL:
18 GA STEEL

DESIGNED BY: R.V.SHTEYN

DRAWN BY:
R.V.SHTEYN

OPTIONS:

QUESTIONS?
sales@mcfaddenlighting.com



NOTES: