

**QUOTE #:**  
Q1248

**FIXTURE:**  
MP1911-05-1436-FTL-0001EM

**LAMPING:**  
(2) FT39W/2G11 UNV

**DIFFUSER:**  
ACRYLIC SMOOTH WHITE

**DIAMETER:**  
14"

**O.A. HT:**  
T.B.D.

**BODY HT:**  
36"

**EXTENSION:**  
18"

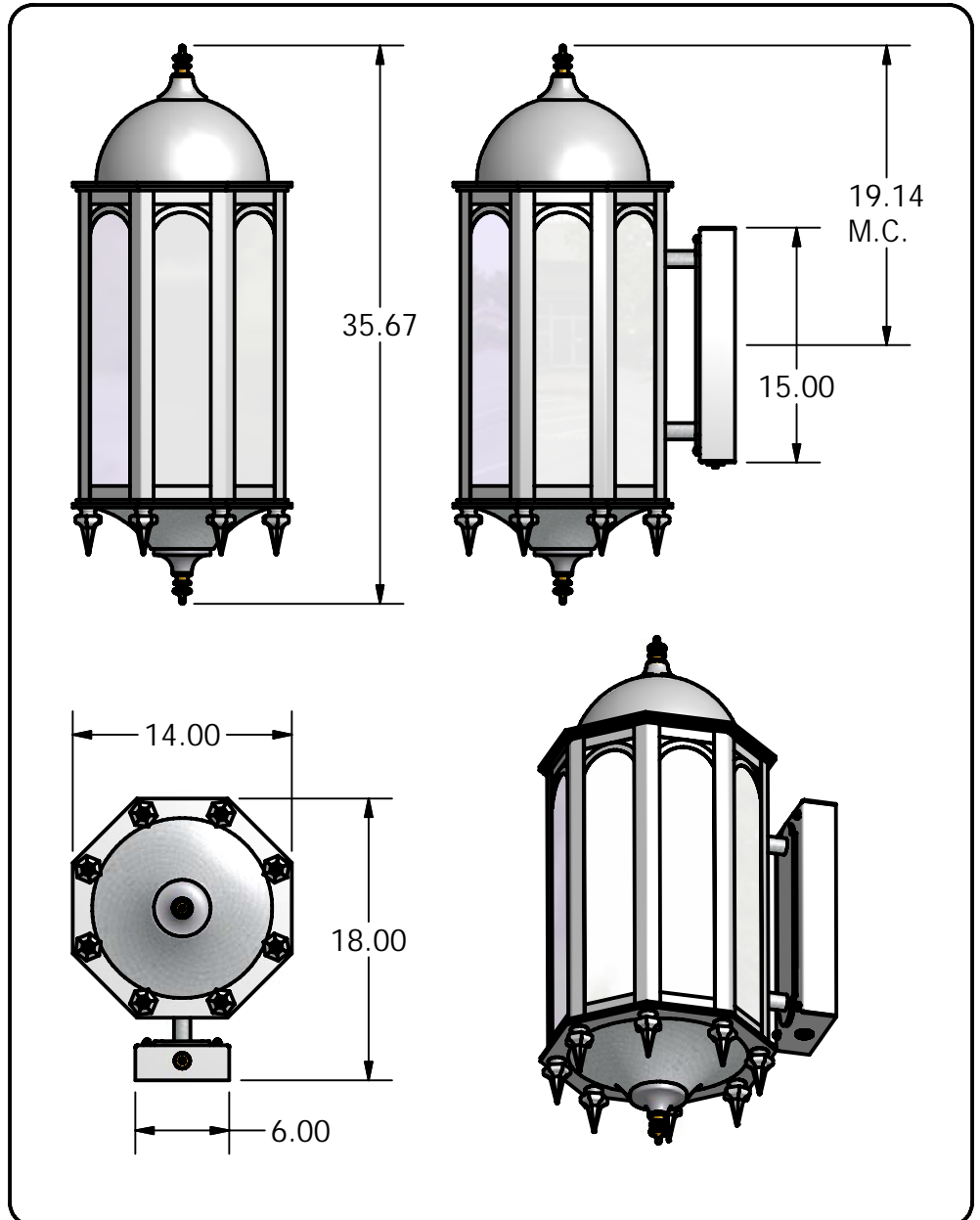
**FINISH:**  
PAINTED STANDARD COLOR

**MATERIAL:**  
18 GA ST, 1/4" ALUMINUM

**DESIGNED BY:** R.V.SHTEYN

**DRAWN BY:**  
R.V.SHTEYN

**OPTIONS:**  
INTEGRAL EMERGENCY BALLAST  
BODINE BDL94C



QUESTIONS?  
sales@mcfaddenlighting.com

**NOTES:**