

2601 Ohio Avenue · Saint Louis, Missouri 63118 \ 800-325-9532 · 314-773-1340 · Fax 314-773-5741 \ www.McFaddenLighting.com

QUOTE #: Q1062  
FIXTURE:  
MP1915-05-1330-MHM-0002

LAMPING:  
(2) ED-17 CMH70W/MED/O UNV

DIFFUSER: ACRYLIC SMOOTH  
WHITE  
DIAMETER: 16 5/8"

O.A. HT:

BODY HT: 30"

EXTENSION: 20 7/8"

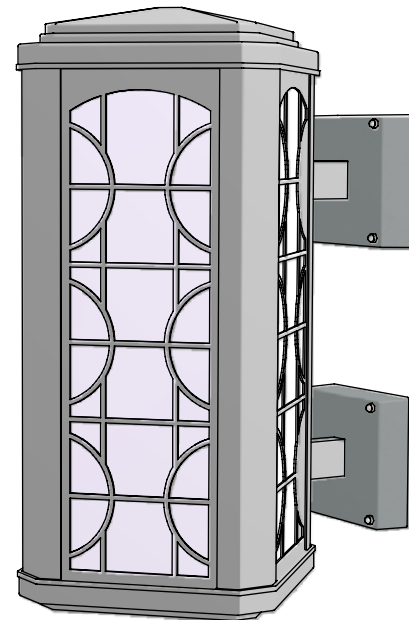
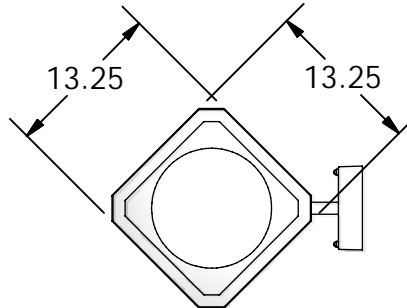
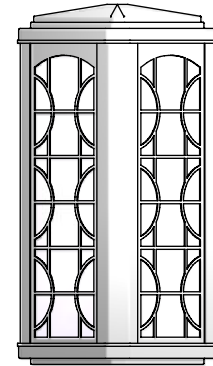
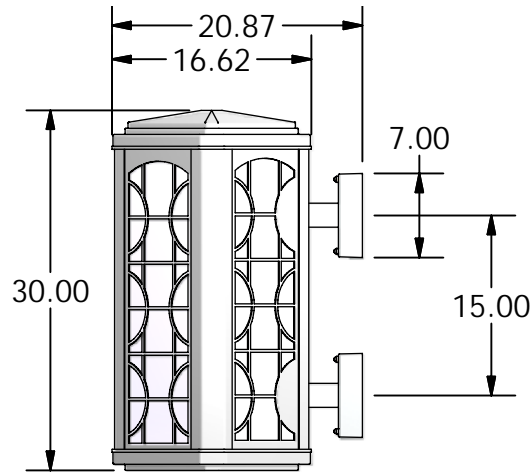
FINISH: PAINTED BRONZE

MATERIAL: ALUMINUM

DESIGNED BY: RV SHTEYN

DRAWN BY: R.V. SHTEYN

OPTIONS:



NOTES: TOP AND BOTTOM CAPS ARE COMPOSITE MATERIAL FINISHED TO MATCH FIXTURE FINISH

These drawings and the specification content are confidential and proprietary information owned by McFadden Lighting Co., Inc. and shall not be replaced or copied or used for the manufacture or sale of apparatus or devices without the written consent of McFadden Lighting Co., Inc.